

 Contact our sales office regarding a delivery date or a price since this is a special model.

SP083E-027E
P: PX



P.G.Information (Specialized product)

Tube Cutter / TK-5

SMC CORPORATION
4-14-1, SOTO-KANDA, CHIYODA-KU,
TOKYO 101-0021, JAPAN
URL: <http://www.smcworld.com>

Features:

- Applicable to fluoropolymer tubing with O.D. up to $\phi 25$
- Made of stainless steel; available in clean room

*However, the packaging is the standard, not double.

- Safety lock provided
- Blade is replaceable

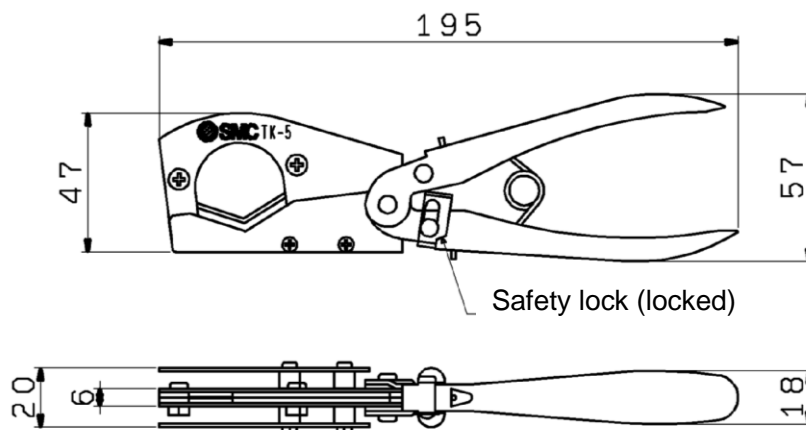
Specifications :


Model	TK-5
Applicable tubing	Fluoropolymer, polyolefin and other plastic tubing
Applicable tubing O.D.	25mm or less
Mass	180g
Replacement blade P/N	TK-DPM00132(5pcs of replacement blades)



Safety lock (released)

Dimensions: mm



 **Caution** To ensure the safest possible operation of this product, please be sure to read thoroughly the "Safety Instructions" in our "Best Pneumatics" catalog before use.