



Contact our sales office for delivery dates and prices as this is a special model.

SP094X-021E
P: OP



Compliant with IP66 (degree of protection)

Electro-pneumatic Positioner / IP8*00 - X310 - P

Smart Positioner / IP8*01 - X405 - P

SMC CORPORATION
4-14-1, SOTO-KANDA,
CHIYODA-KU,
TOKYO 101-0021, JAPAN
URL <http://www.smcworld.com>

■ Features

Compliant with IP66 (degree of protection).

Model	Degree of Protection
IP8*00 - X310 - P	JISF8007 IP66 (Compliant with IEC60529)
IP8*01 - X405 - P	

■ How to Order:

· IP8000-X310-P

IP8000 - 0 - ** - ** - X310 - P - ****

Lever type

Pressure gauge (SUP, OUT1)

0	Nil
1	0.2MPa
2	0.3MPa
3	1.0MPa

Construction

0	No terminal box (With non-explosive proof connector)
1	With terminal box (Exd II BT5)

Accessories

Nil	None (Standard)	Air	Electric	Nil	—
A	φ0.7 Output restriction with pilot valve	Nil	Rc1/4 G1/2	Q	CE marked product
B	φ0.7 Output restriction with pilot valve	M	Rc1/4 M20×1.5		
E	For stroke 35 to 100mm with lever unit (Standard lever is not attached)	N	Rc1/4 1/2NPT		
F	For stroke 50 to 140mm with lever unit (Standard lever is not attached)	1	1/4NPT G1/2		
		2	1/4NPT M20×1.5		
G	Compensation spring (A) (It is mounted to the body as a replacement of the standard compensation spring.)	3	1/4NPT 1/2NPT		
		4	G1/4 G1/2		
		5	G1/4 M20×1.5		
6	G1/4 1/2NPT				

Connection

CE marking

Note 1: If two or more accessories are required, the part numbers should be given in alphabetical order.
Note 2: If 1 is selected for Construction, only Nil, 1, or 4 can be selected for Connection.

· IP8100-X310-P

IP8100 - 0 - ** - ** - X310 - P - ****

Rotary type

Pressure gauge (SUP, OUT1)

0	Nil
1	0.2MPa
2	0.3MPa
3	1.0MPa

Construction

0	No terminal box (With non-explosive proof connector)
1	With terminal box (Exd II BT5)

Accessories

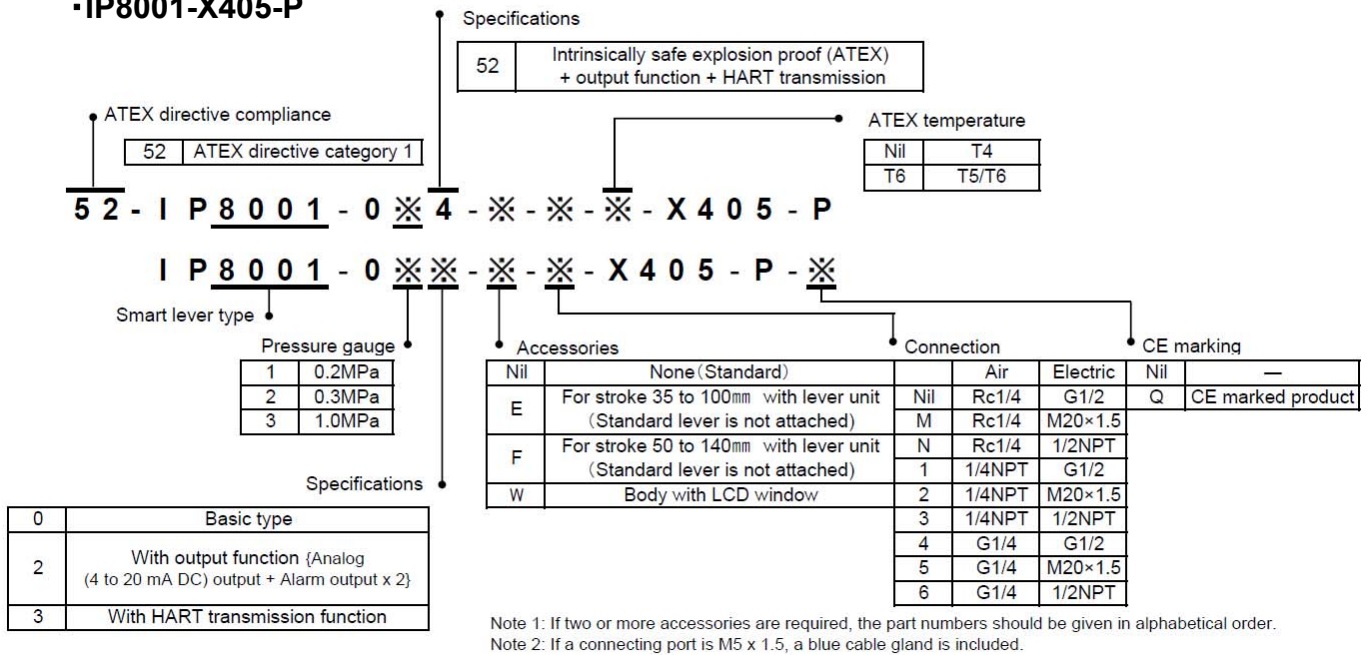
Nil	None (Standard)	Air	Electric	Nil	—
A	φ0.7 Output restriction with pilot valve	Nil	Rc1/4 G1/2	Q	CE marked product
B	φ0.7 Output restriction with pilot valve	M	Rc1/4 M20×1.5		
C	Fork lever assembly M	N	Rc1/4 1/2NPT		
D	Fork lever assembly S	1	1/4NPT G1/2		
G	Compensation spring (A) (It is mounted to the body as a replacement of the standard compensation spring.)	2	1/4NPT M20×1.5		
		3	1/4NPT 1/2NPT		
		4	G1/4 G1/2		
H	With external scale plate	5	G1/4 M20×1.5		
J	With opening current transmission (4 to 20 mA DC, with terminal box, non-explosion proof) / Positive operation	6	G1/4 1/2NPT		
JR	With opening current transmission (4 to 20 mA DC, with terminal box, non-explosion proof) / Reverse operation				

Connection

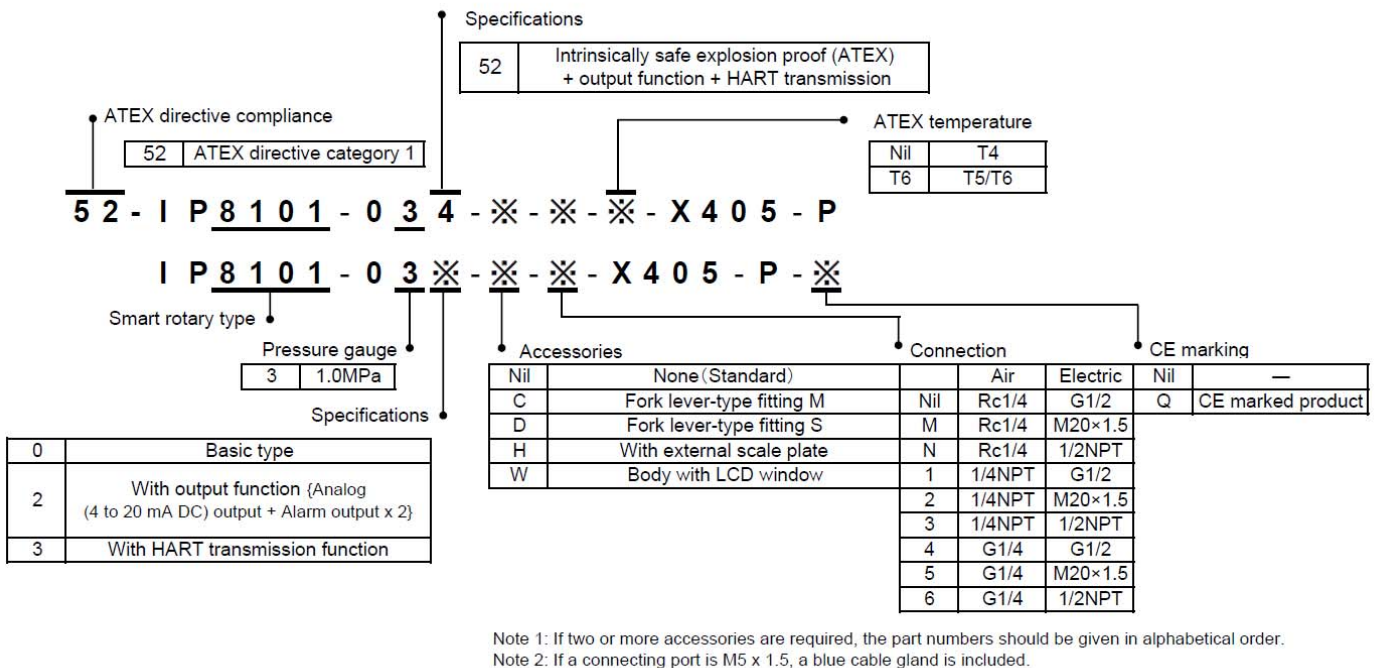
CE marking

Note 1: If two or more accessories are required, the part numbers should be given in alphabetical order.
Note 2: Symbol JJR is with terminal box, non-explosion proof specifications. Select 1 for Construction.
Note 3: If 1 is selected for Construction, only Nil, 1, or 4 can be selected for Connection.

-IP8001-X405-P



-IP8101-X405-P



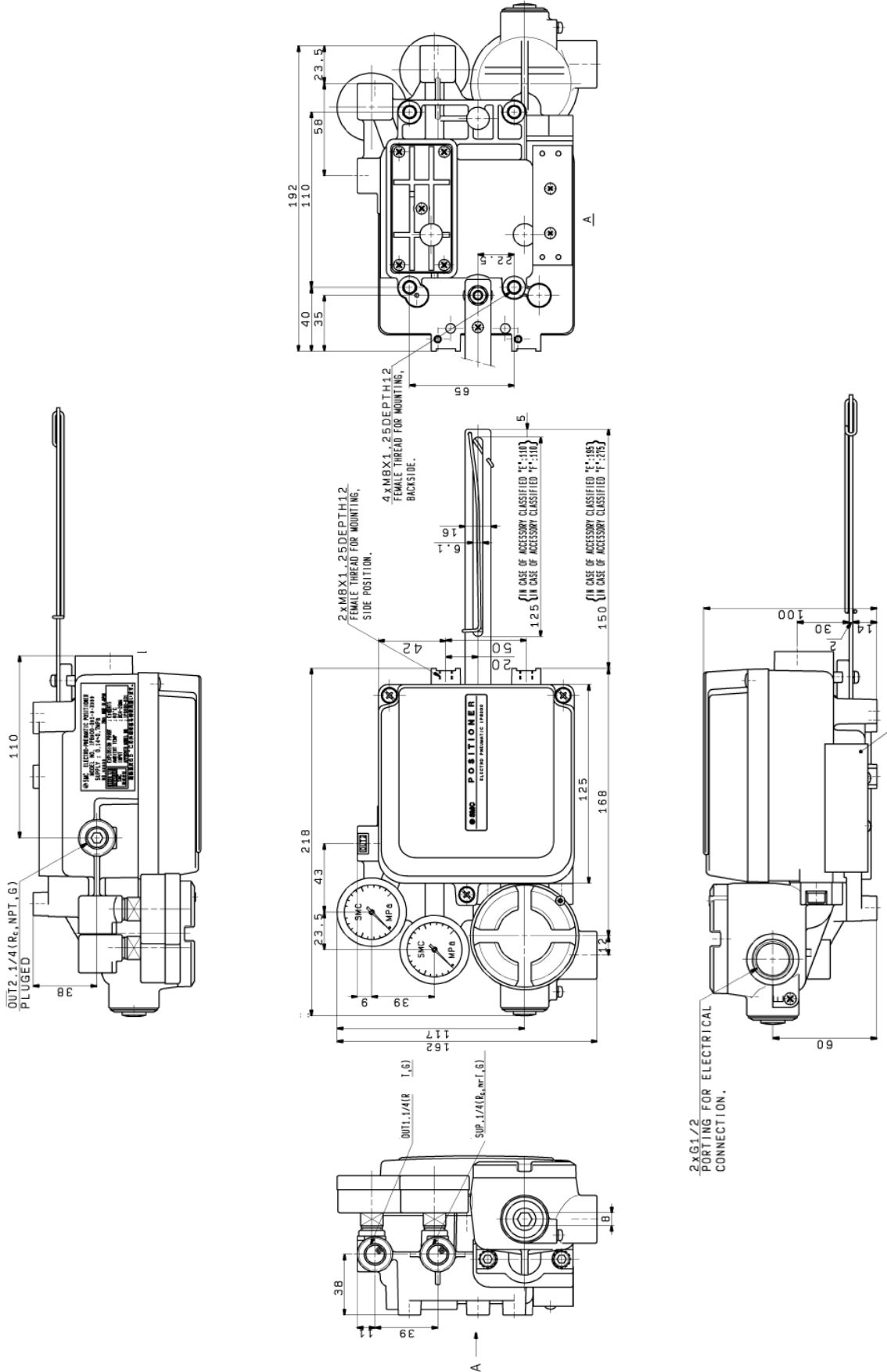
■ Specifications

Degree of protection: JISF8007 IP66 (compliant with IEC 60529)
(Other than the above, same specifications as standard type)

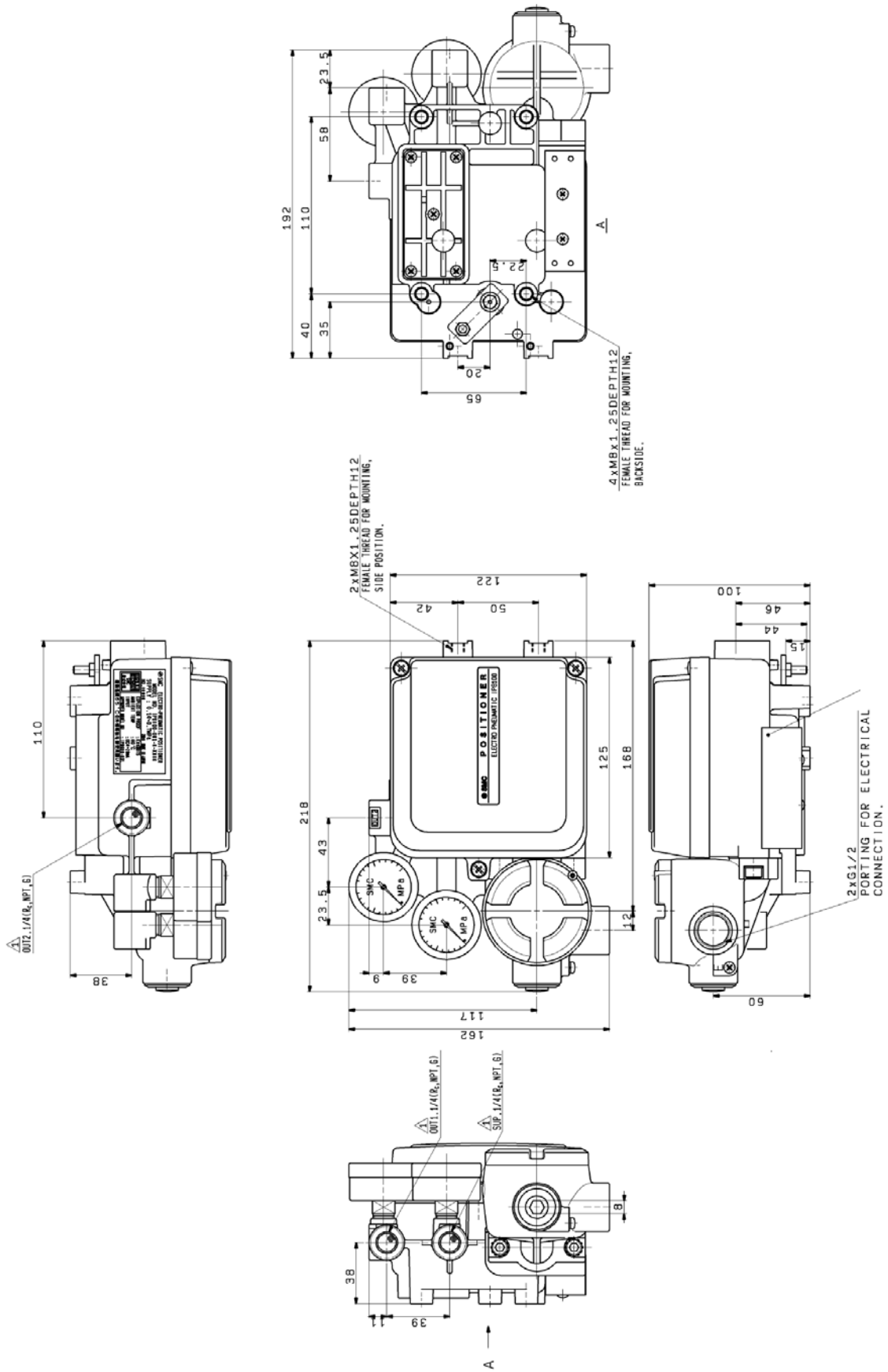
■ Dimensions: mm

* Same as the standard, other than the IP66 compliant protective cover.

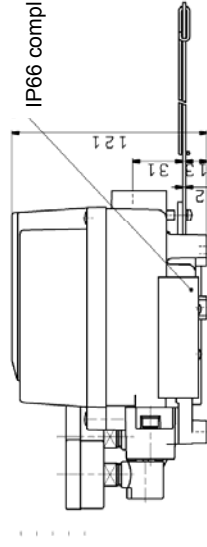
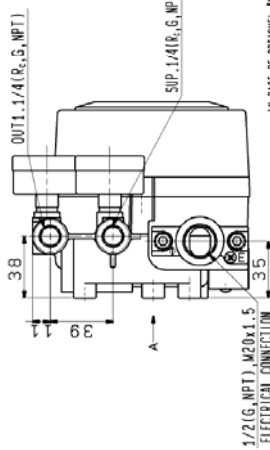
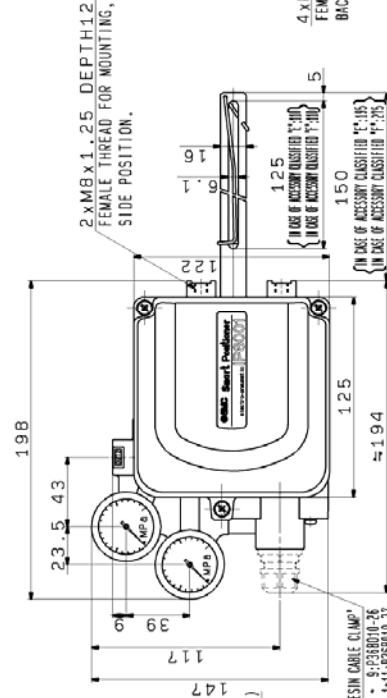
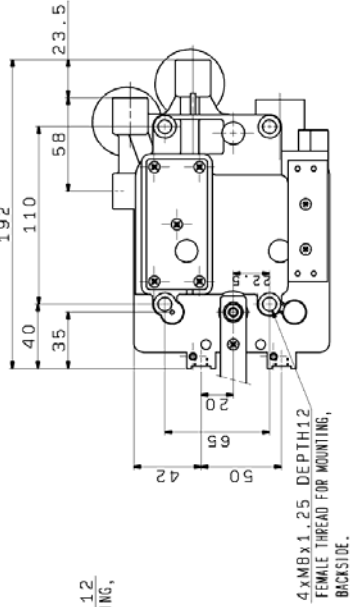
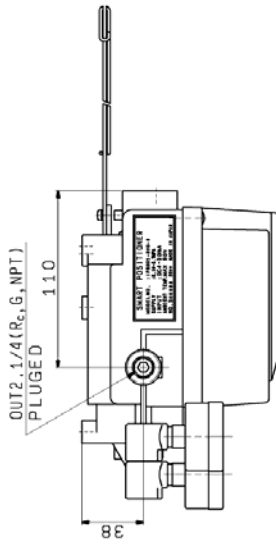
◇ IP8000-X310-P



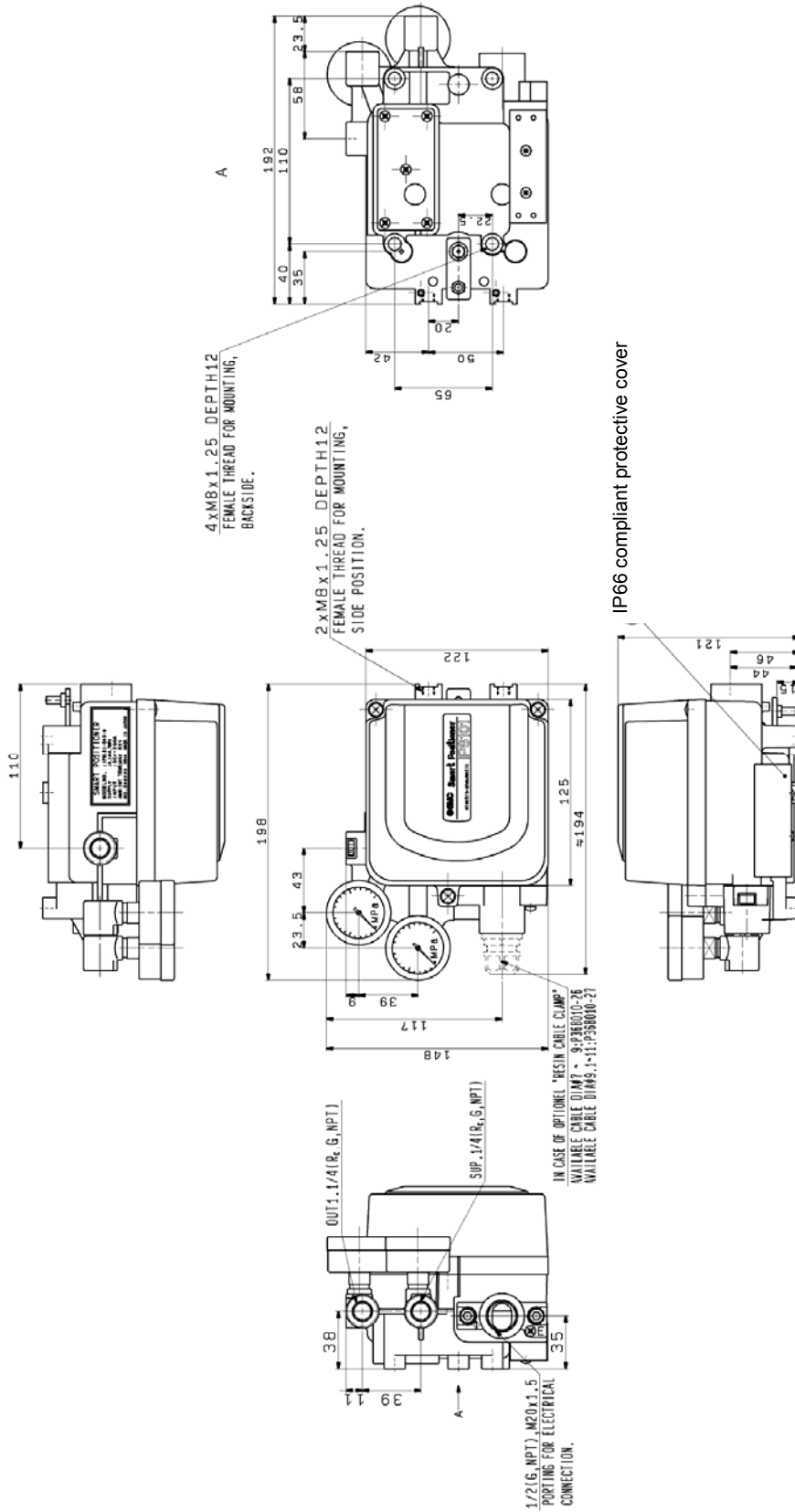
◇ IP8100-X310-P



◇ IP8001-X405-P



◇ IP8101-X405-P



Caution To ensure the safest possible operation of this product, please be sure to thoroughly read the "Safety Instructions" in our "Best Pneumatics" catalog before use.