

 Contact our sales office for delivery dates and prices as this is a special model.

SP121X-007E
P: RP

 **P.G.Information** (Specialized Product)

SMC CORPORATION
4-14-1, SOTO-KANDA,
CHIYODA-KU,
TOKYO 101-0021, JAPAN
URL <http://www.smcworld.com>

Process Valve / VNB~~X~~-X128

■Features:

Structured to prevent fluid leakage to the piston chamber!

- Scraper added to the piston rod seal
- Leakage check port (fluid discharge) added

Model no.	Specifications
VNB□-X128	Improved piston rod sealing Leakage check port provided



■Specifications

Other specifications are the same as the standard products.
Refer to the catalog or operation manual.

How to Order:

VNB □ -X128

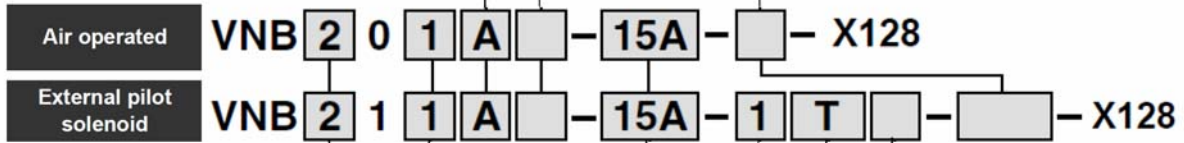
Seal material	
A	NBR seals
B	FKM seals
C	EPR seals

Body material option	
Nil	Standard
S	Stainless steel body

*Threaded port only

Bracket(valve size:1/2/3/4.)	
Nil	None
B*	With bracket

*Only valve sizes 1, 2, 3 and 4.
Shipped after assembled at our factory.
Bracket part no.
Valve size 1: VN1-A16 (with thread)
Valve sizes 2 to 4: VN □-16
↳ 2 to 4



Symbol	Orifice dia (mm)	Symbol				Symbol	Port size Rc
		1	2	3	4		
		N.C. 0.5MPa	N.C. 0.5MPa	N.C. 0.5MPa	N.C. 0.5MPa		
2	φ 11	—	—	—	●	10A	Rc3/8
	φ 15	●	●	●	—	15A	Rc1/2
3	φ 11	—	—	—	—	20A	Rc3/8
	φ 15	●	●	●	—		
4	φ 14	—	—	—	●	25A	Rc3/4
	φ 20	●	●	●	—		
5	φ 16	—	—	—	●	32A	Rc1
	φ 22	●	●	●	—		
6	φ 22	—	—	—	●	32F	Frang
	φ 32	●	●	●	—		
6	φ 28	—	—	—	●	40A	Rc 1 1/2
	φ 40	●	●	●	—		
6	φ 28	—	—	—	●	40F	Frang
	φ 40	●	●	●	—		



*Air operated only

Rated voltage	
1	AC100V 50/60Hz
2	AC200V 50/60Hz
3	AC110V 50/60Hz
4	AC220V 50/60Hz
5	DC24V
6	DC12V
7	AC240V 50/60Hz

Electrical entry/With light/surge voltage suppressor

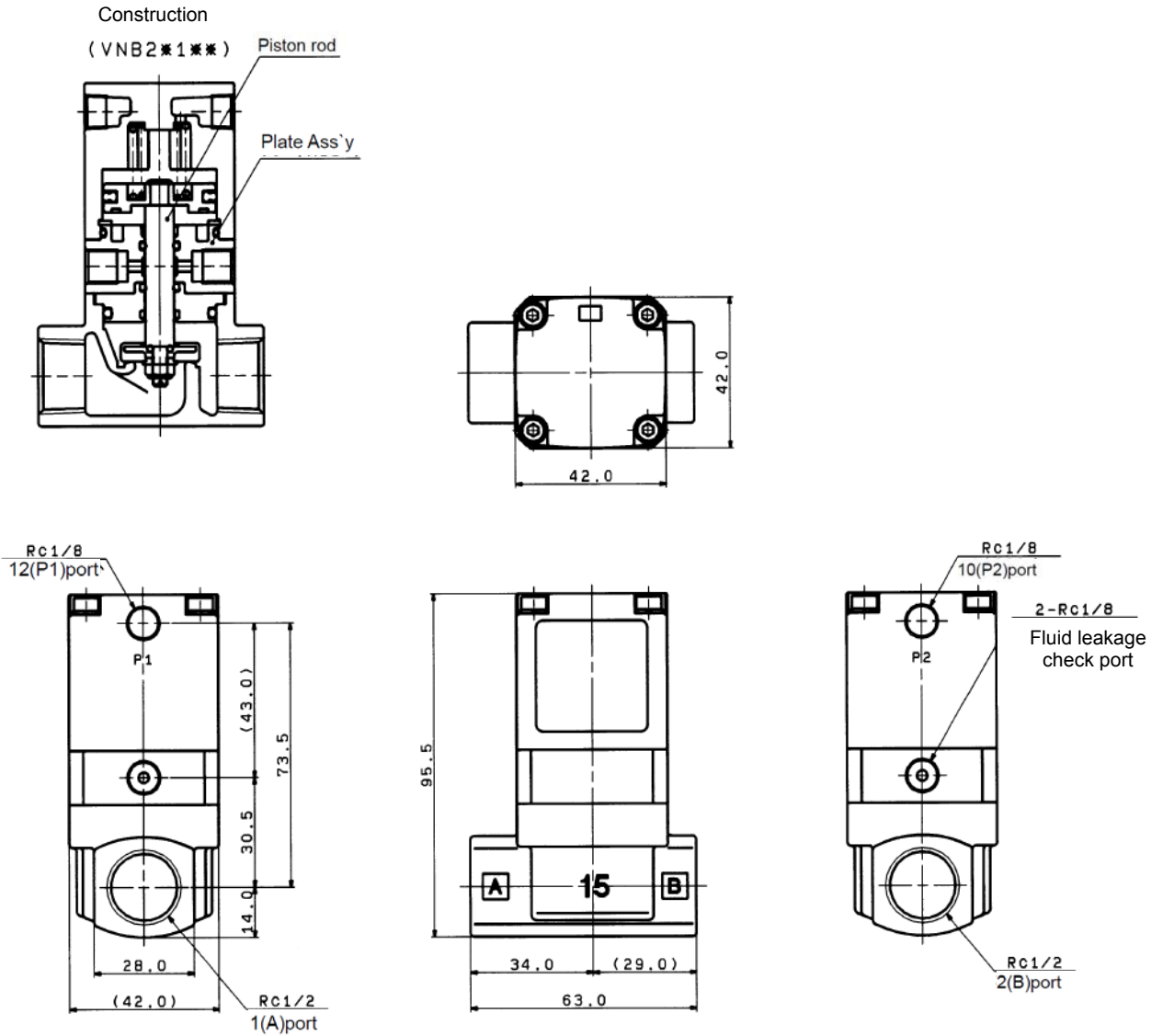
Symbol	Electrical entry
G	Grommet
GS	Grommet with surge voltage suppressor
E	Grommet terminal
EZ	Grommet terminal with light/surge voltage suppressor
T	Conduit terminal
TZ	Conduit terminal with light/surge voltage suppressor
D	DIN terminal
DZ	DIN terminal with light/surge voltage suppressor
G	Grommet
GS	Grommet with surge voltage suppressor
D	DIN terminal
DL	DIN terminal with indicator light

Manual override

Nil: Non-locking push type		
	A: Non-locking push type A (projecting)	Valve size 2 to 4
	B: Slotted locking type B (tool required)	
Nil: Non-locking push type		Valve size 5 to 6

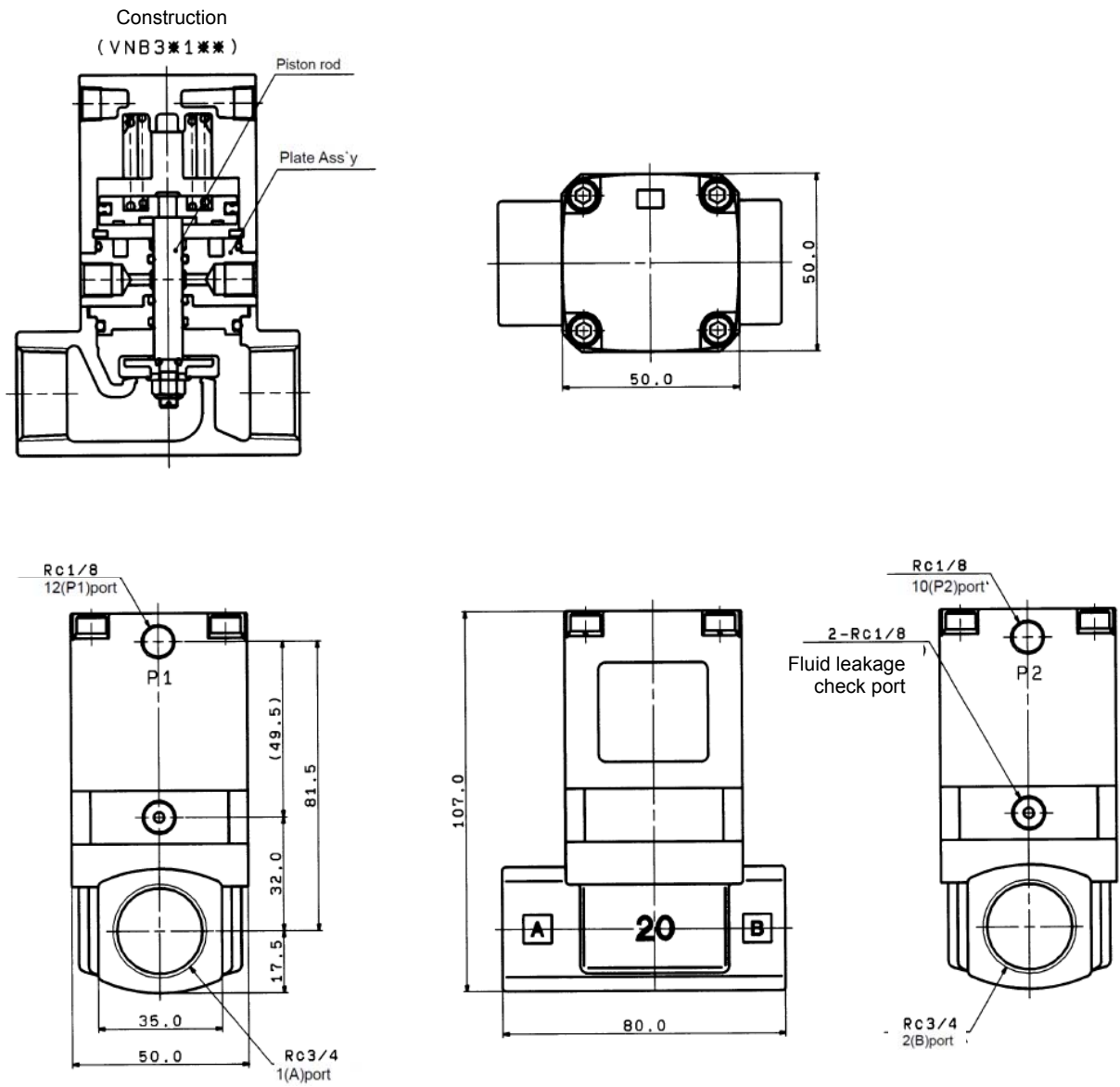
■ Dimensions: mm

▪ VNB2*-X128 (Valve size 2)



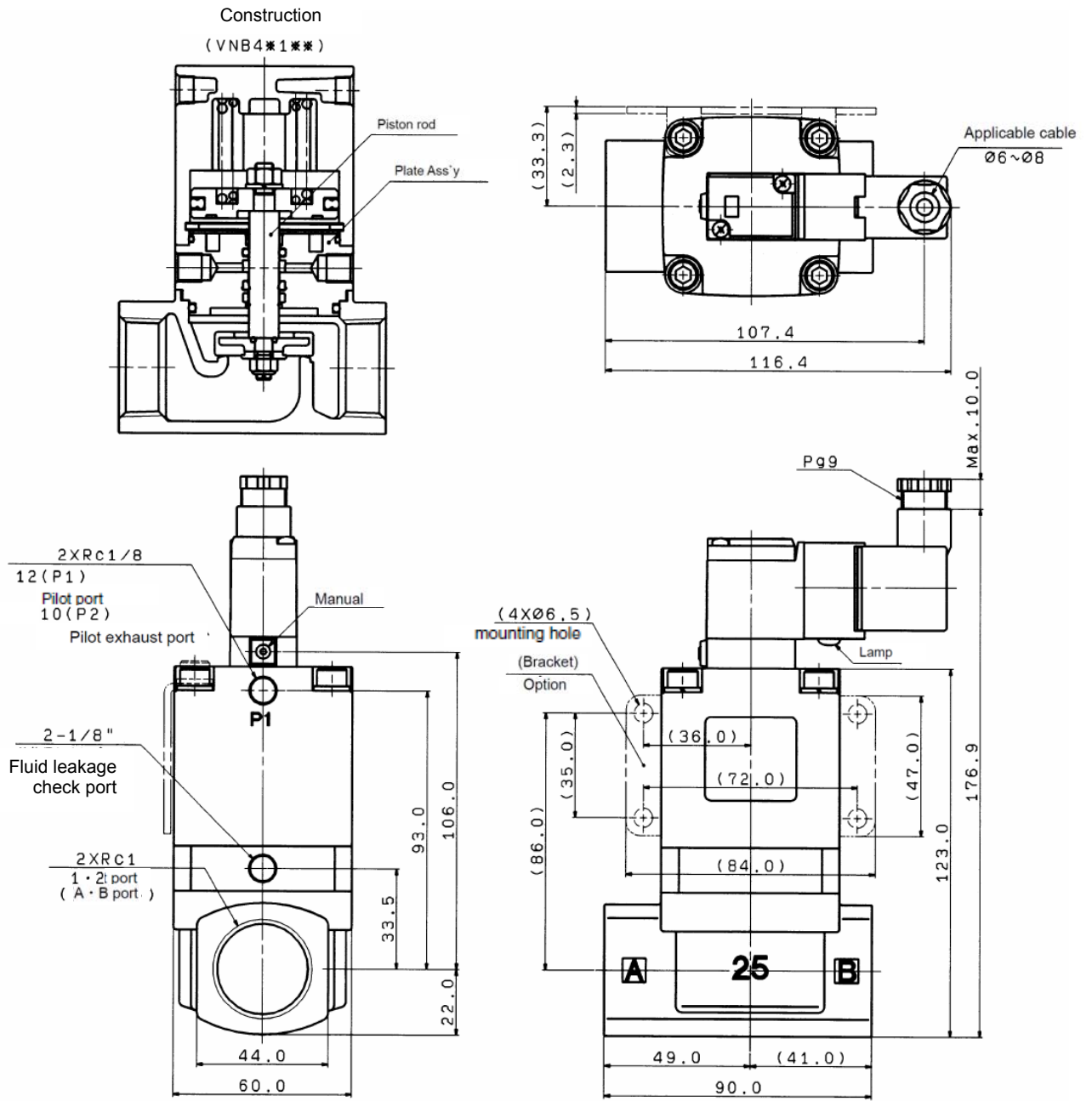
Note: The above diagrams are for the model number "VNB201*-15A-X128".

• VNB3*-X128 (Valve size 3)



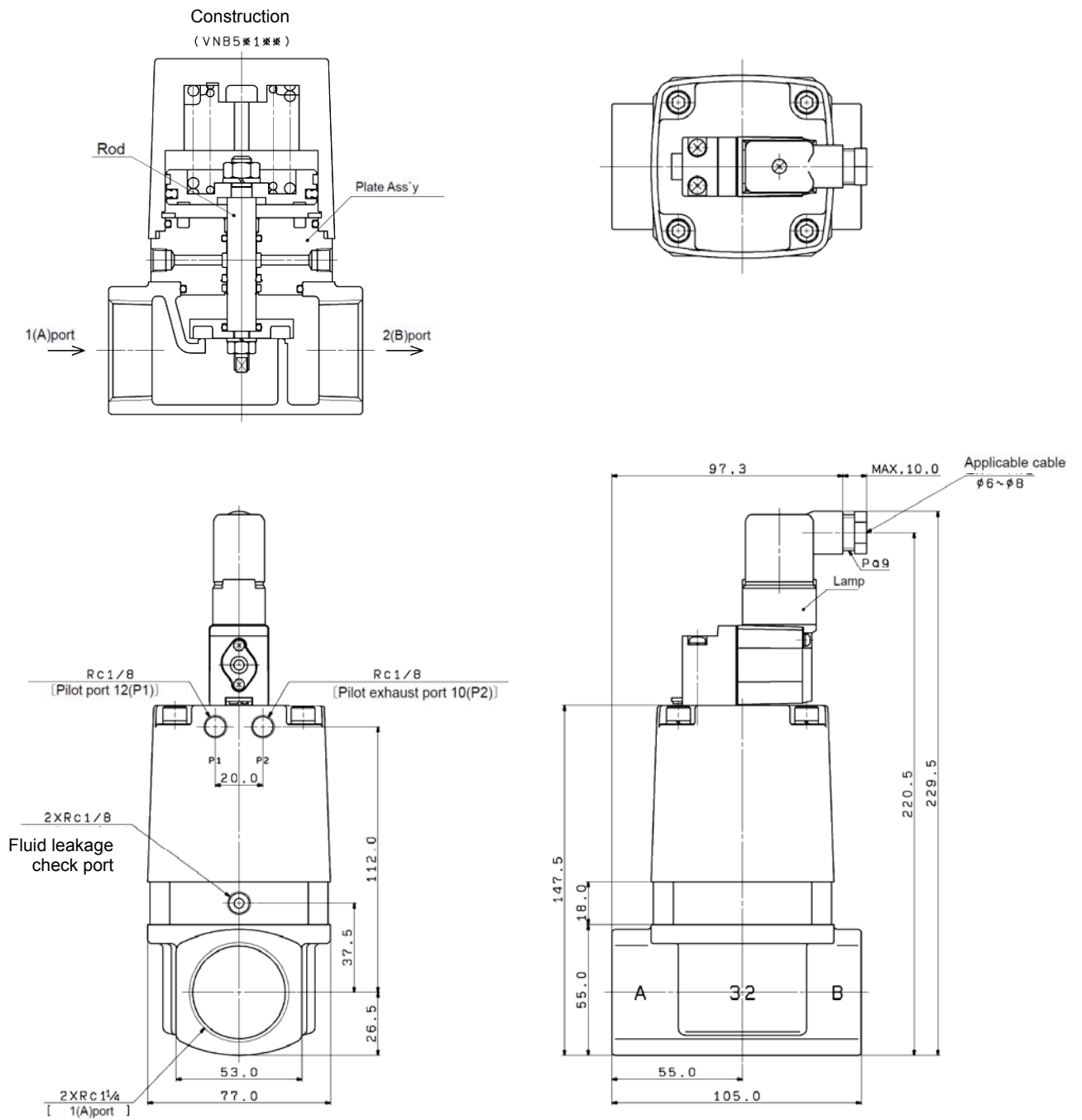
Note: The above diagrams are for the model number "VNB301*-20A-X128".

• VNB4*-X128 (Valve size 4)



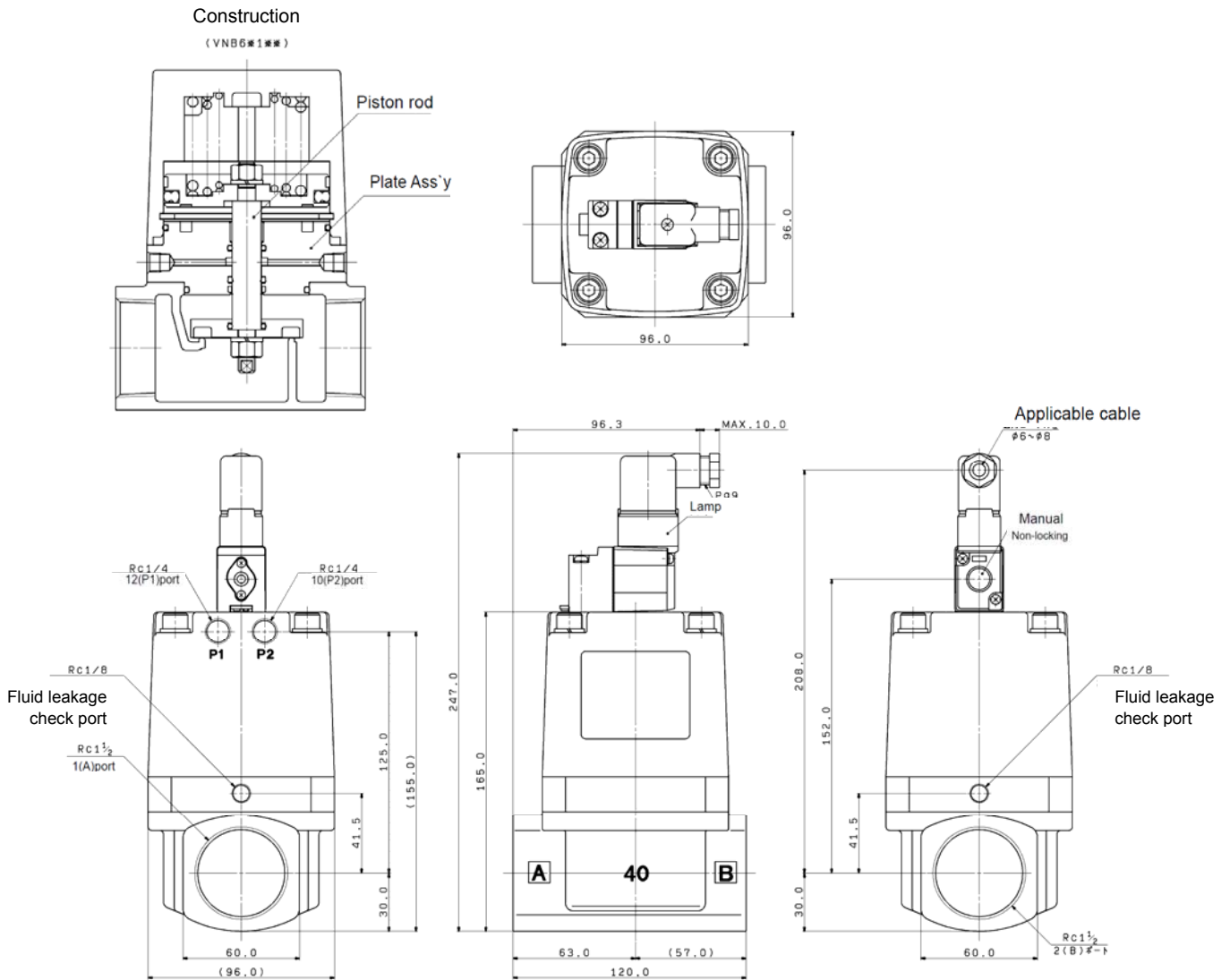
Note: The above diagrams are for the model number "VNB41**-25A-*DZ*-*-X128".

• VNB5*-X128 (Valve size 5)



Note: The above diagrams are for the model number "VNB51**-32A-*DZ-X128".

• VNB6*-X128 (Valve size 6)



Note: The above diagrams are for the model number “VNB61**-40A-*DZ*-X128”.

Caution To ensure the safest possible operation of this product, please be sure to thoroughly read the “Safety Instructions” in our “Best Pneumatics” catalog before use.