

 Contact our sales office for delivery dates and prices as this is a special model.

 *P.G.Information (Specialized Product)*

SP133X-029E
P: SQ

Speed Controller

ASP*30F-*-*S-X40

ASV*10F-*-*-X40

AS*2*1-*-*F*S-X40

SMC CORPORATION
4-14-1, SOTO-KANDA,
CHIYODA-KU,
TOKYO 101-0021, JAPAN
URL: <http://www.smcworld.com>

■ Features: Special combinations of tubing outer dimensions and port sizes available

- Applicable tubing O.D. Metric size X Port size NPT
- Applicable tubing O.D. Inch size X Port size R



Speed Controller with Pilot Check Valve
ASP*30F-*-*S-X40



Speed Controller with One-touch Fitting
Elbow Type (Metal Body)
AS*2*1-*-*F*S-X40



Speed Exhaust Controller
ASV*10F-*-*-X40

■ Specifications

Fluid	Air
Proof pressure	1.5 MPa
Operating pressure range	0.1 to 1 MPa
Ambient and fluid temperature	-5 to 60°C (No freezing)
Pilot pressure (ASP only)	More than 50% the operating pressure

■ How to Order

<Speed Controller with Pilot Check Valve>

ASP 3 30F - N01 - 06 S -X40

● Body size

3	1/8 standard
4	1/4 standard
5	3/8 standard
6	1/2 standard

● Port size

Symbol	Cylinder side	Pilot port
01	R1/8	M5X0.8
02	R1/4	Rc1/8
03	R3/8	Rc1/8
04	R1/2	Rc1/4
F02	R1/4	G1/8
F03	R3/8	G1/8
F04	R1/2	G1/4
N01	NPT1/8	10-32UNF
N02	NPT1/4	NPT1/8
N03	NPT3/8	NPT1/8
N04	NPT1/2	NPT1/4

● Applicable tubing O.D.

Metric size

Inch size

06	φ6
08	φ8
10	φ10
12	φ12

07	φ1/4"
09	φ5/16"
11	φ3/8"
13	φ1/2"

Model	Metric size				Inch size			
	φ6	φ8	φ10	φ12	φ1/4"	φ5/16"	φ3/8"	φ1/2"
ASP330F-01					●	●		
ASP430F-02					●	●		
ASP530F-03						●	●	
ASP630F-04							●	●
ASP430F-F02					●	●		
ASP530F-F03						●	●	
ASP630F-F04							●	●
ASP330F-N01	●	●						
ASP430F-N02	●	●						
ASP530F-N03		●	●					
ASP630F-N04			●	●				



<Speed Exhaust Controller>

ASV 3 10F - N01 - 06 S -X40



Body size ●

3	1/8 standard
4	1/4 standard
5	3/8 standard

Port size ●

01	R1/8
02	R1/4
03	R3/8
04	R1/2
N01	NPT1/8
N02	NPT1/4
N03	NPT3/8
N04	NPT1/2

Applicable tubing O.D. ●

Metric size

06	φ6
08	φ8
10	φ10
12	φ12

Inch size

07	φ1/4"
09	φ5/16"
11	φ3/8"
13	φ1/2"

Model	Metric size				Inch size			
	φ6	φ8	φ10	φ12	φ1/4"	φ5/16"	φ3/8"	φ1/2"
ASV310F-01					●	●		
ASV310F-02					●	●		
ASP410F-01						●	●	
ASP410F-02						●	●	
ASP410F-03						●	●	
ASP510F-02							●	●
ASP510F-03							●	●
ASP510F-04							●	●
ASV310F-N01	●	●						
ASV310F-N02	●	●						
ASP410F-N01		●	●					
ASP410F-N02		●	●					
ASP410F-N03		●	●					
ASP510F-N02			●	●				
ASP510F-N03			●	●				
ASP510F-N04			●	●				

< Speed Controller with One-touch Fitting Elbow Type (Metal Body)>

AS 2 2 0 1 - N01 - F 06 S -X40

Body size ●

2	1/8,1/4 standard
3	3/8 standard
4	1/2 standard

Control type ●

0	Meter - out
1	Meter - in

Port size ●

N01	NPT1/8
N02	NPT1/4
N03	NPT3/8
N04	NPT1/2

Applicable tubing O.D. ●

Metric size

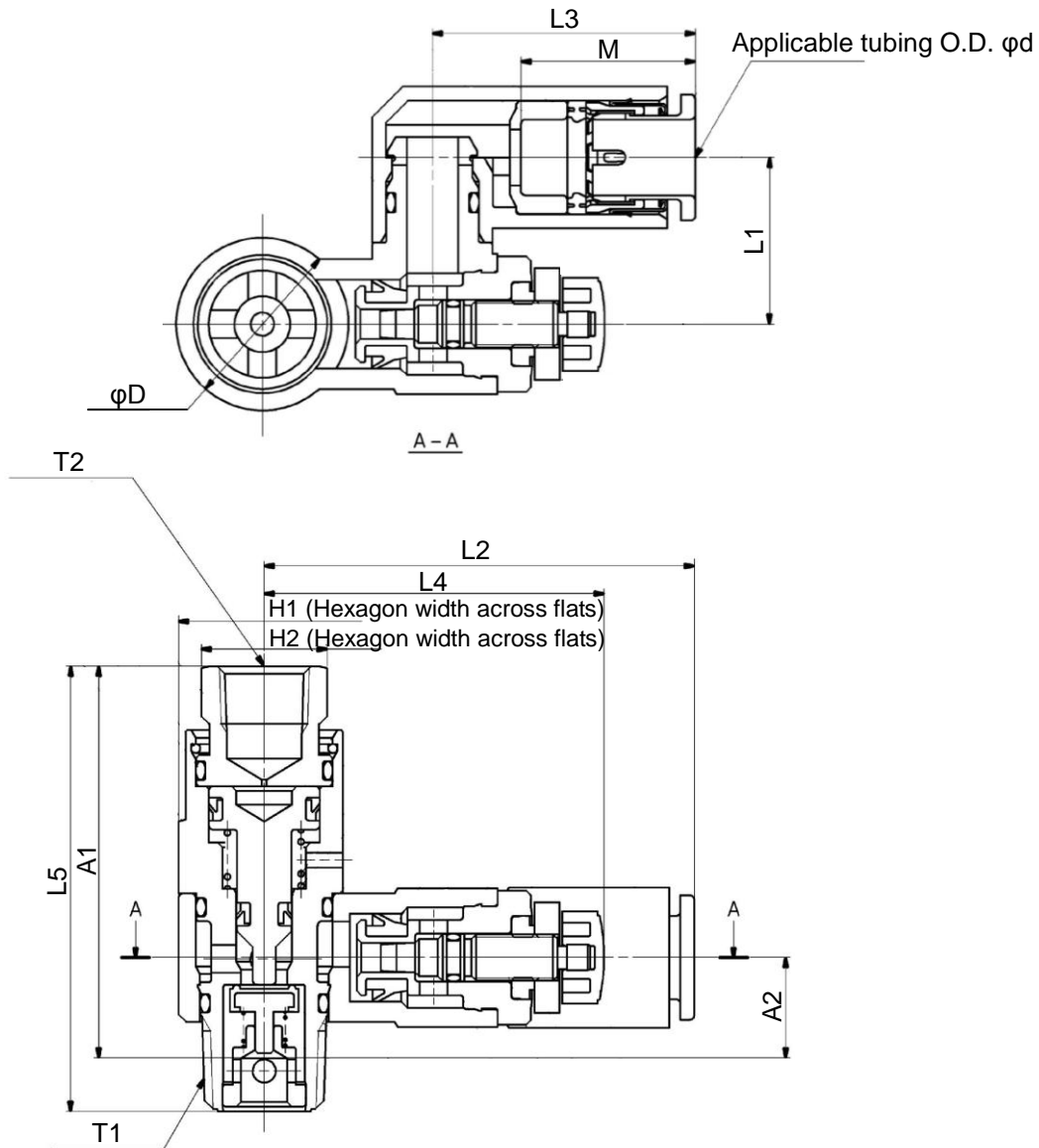
06	φ6
08	φ8
10	φ10
12	φ12

Model	Metric size			
	φ6	φ8	φ10	φ12
AS22□1-N01	●	●		
AS22□1-N02	●	●	●	
AS32□1-N02		●	●	
AS32□1-N03		●	●	
AS42□1-N04			●	●



■ Dimensions: mm

<Speed Controller with Pilot Check Valve /ASP-X40>

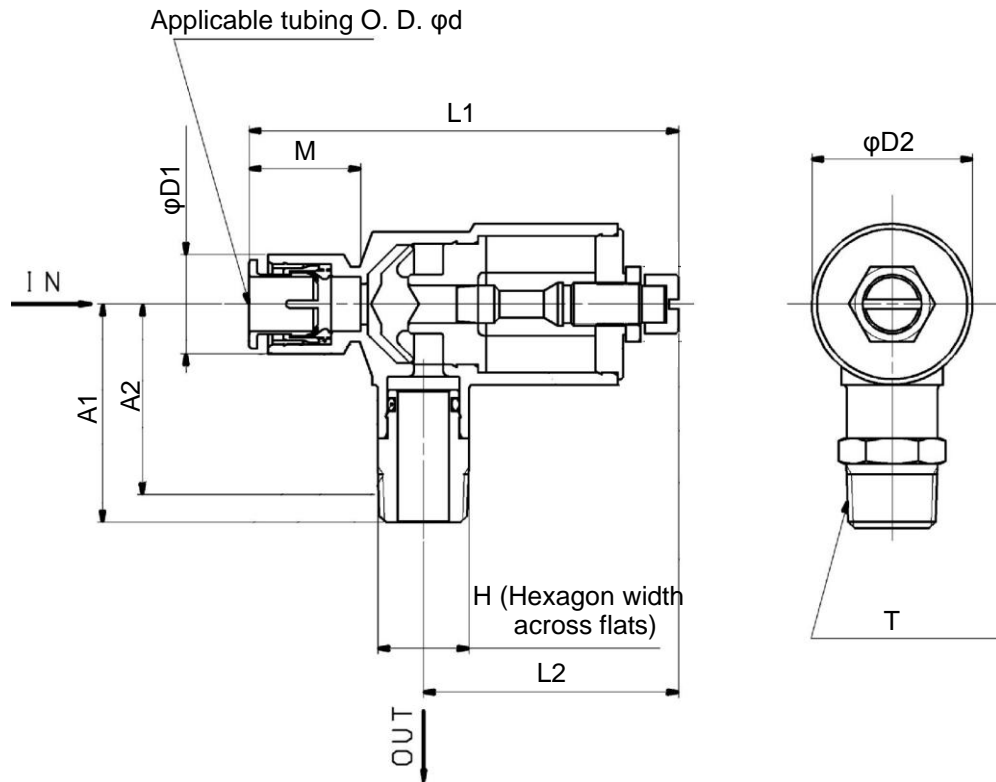


Model	d	T1	T2	H1	H2	D	L1	L2	L3	Note1) L4		L5	Note2) A1	Note2) A2	M
										MAX	MIN				
ASP330F-01-07S	1/4"	R1/8	M5X0.8	12	8	14.2	15.8	42.2	25.6	38.9	33.9	38.6	35.1	10.5	17
ASP330F-01-09S	5/16"	R1/8	M5X0.8	12	8	14.2	15.8	44.7	28.2	38.9	33.9	38.6	35.1	10.5	18.7
ASP430F-(F)02-07S	1/4"	R1/4	1/8 ^{Note3)}	17	12	18.5	18	43.9	25.6	41.7	36.7	48.2	42.6	10.9	17
ASP430F-(F)02-09S	5/16"	R1/4	1/8 ^{Note3)}	17	12	18.5	18	46.4	28.2	41.7	36.7	48.2	42.6	10.9	18.7
ASP530F-(F)03-09S	5/16"	R3/8	1/8 ^{Note3)}	19	12	23	20.3	51.3	28.2	46.9	41.9	55.1	50.3	14.4	18.7
ASP530F-(F)03-11S	3/8"	R3/8	1/8 ^{Note3)}	19	12	23	23.1	54.1	32.6	46.9	41.9	55.1	50.3	14.4	20.8
ASP630F-(F)04-11S	3/8"	R1/2	1/4 ^{Note3)}	24	17	28.6	25.9	64.2	32.6	64.8	57.3	69.4	61.8	18.3	20.8
ASP630F-(F)04-13S	1/2"	R1/2	1/4 ^{Note3)}	24	17	28.6	26.5	66.3	34.7	64.8	57.3	69.4	61.8	18.3	21.8
ASP330F-N01-06S	6	NPT1/8	10-32UNF	1/2"	8	14.2	14	38.4	22.9	39.6	34.6	38.6	35.2	10.5	13.7
ASP330F-N01-08S	8	NPT1/8	10-32UNF	1/2"	8	14.2	15.8	44.7	28.2	38.9	33.9	38.6	35.2	10.5	18.7
ASP430F-N02-06S	6	NPT1/4	NPT1/8	11/16"	1/2"	18.5	18	43.4	25.2	41.7	36.7	48.2	42.4	10.9	16.8
ASP430F-N02-08S	8	NPT1/4	NPT1/8	11/16"	1/2"	18.5	19.7	46.4	28.2	41.7	36.7	48.2	42.4	10.9	18.7
ASP530F-N03-08S	8	NPT3/8	NPT1/8	19	1/2"	23	20.3	51.3	28.2	46.9	41.9	55.1	50	14.4	18.7
ASP530F-N03-10S	10	NPT3/8	NPT1/8	19	1/2"	23	23.1	54.1	32.6	46.9	41.9	55.1	50	14.4	20.8
ASP630F-N04-10S	10	NPT1/2	NPT1/4	15/16"	11/16"	28.6	25.9	64.2	32.6	64.8	57.3	69.4	61.8	18.3	20.8
ASP630F-N04-12S	12	NPT1/2	NPT1/4	15/16"	11/16"	28.6	25.9	66	34.4	64.8	57.3	69.4	61.8	18.3	21.8

Note 1: Reference dimensions. Note 2: Reference dimensions after installation.

Note 3: Rc thread for port sizes from 02 to 04 and G thread for port sizes from F02 to F04.

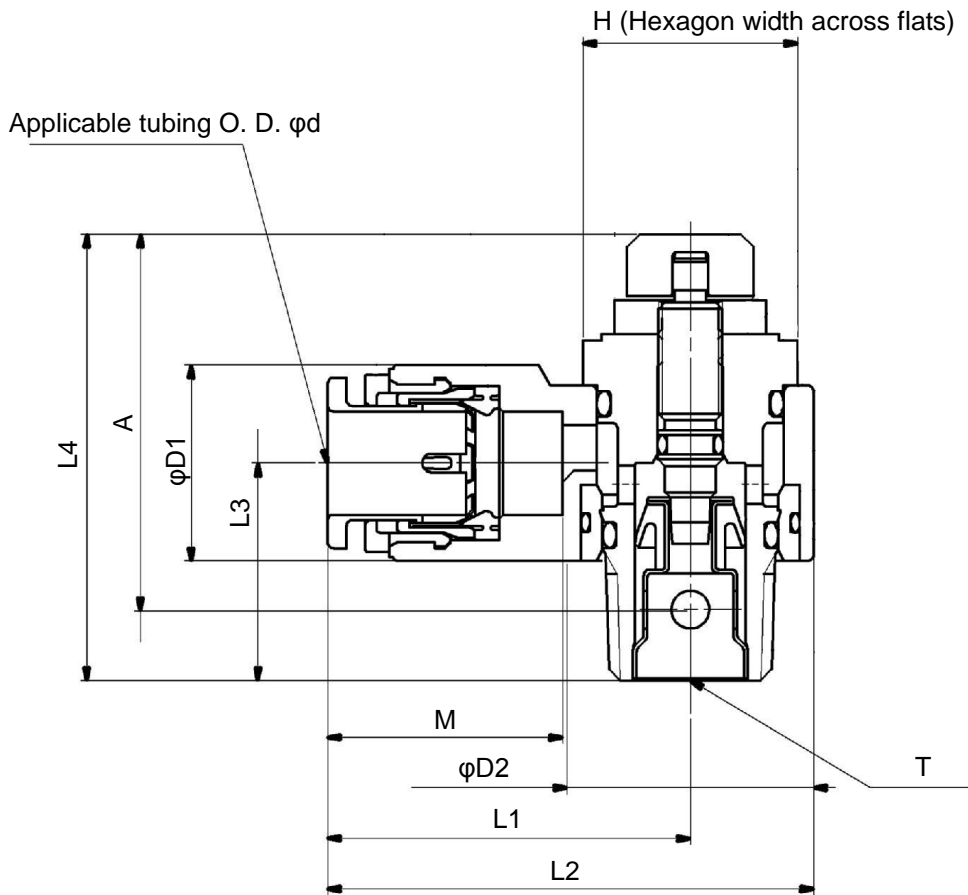
< Speed Exhaust Controller /ASV-X40>



Model	d	T	H	D1	D2	Note1) L1		Note1) L2		A1	Note2) A2	M
						MAX	MIN	MAX	MIN			
ASV310F-01-07S	1/4"	R1/8	10	13.2	17.6	71	65	45.8	39.8	26.5	23.4	16.8
ASV310F-01-09S	5/16"	R1/8	10	15.2	17.6	71.8	65.8	45.8	39.8	26.5	23.4	19
ASV310F-02-07S	1/4"	R1/4	14	13.2	17.6	71	65	45.8	39.8	30.9	25.4	16.8
ASV310F-02-09S	5/16"	R1/4	14	15.2	17.6	71.8	65.8	45.8	39.8	30.9	25.4	19
ASV410F-01-09S	5/16"	R1/8	12	15.2	24.4	81.1	73.6	52.8	45.3	29.8	26.7	19
ASV410F-01-11S	3/8"	R1/8	12	18.5	24.4	83.2	75.7	52.8	45.3	29.8	26.7	21
ASV410F-02-09S	5/16"	R1/4	14	15.2	24.4	81.1	73.6	52.8	45.3	34.2	28.7	19
ASV410F-02-11S	3/8"	R1/4	14	18.5	24.4	83.2	75.7	52.8	45.3	34.2	28.7	21
ASV410F-03-09S	5/16"	R3/8	17	15.2	24.4	81.1	73.6	52.8	45.3	35.6	30.4	19
ASV410F-03-11S	3/8"	R3/8	17	18.5	24.4	83.2	75.7	52.8	45.3	35.6	30.4	21
ASV510F-02-11S	3/8"	R1/4	17	18.5	30	86.2	80.2	53.6	47.6	39.3	33.8	21
ASV510F-02-13S	1/2"	R1/4	17	21.7	30	87.8	81.8	53.6	47.6	39.3	33.8	21.8
ASV510F-03-11S	3/8"	R3/8	17	18.5	30	86.2	80.2	53.6	47.6	40.7	35.5	21
ASV510F-03-13S	1/2"	R3/8	17	21.7	30	87.8	81.8	53.6	47.6	40.7	35.5	21.8
ASV510F-04-11S	3/8"	R1/2	22	18.5	30	86.2	80.2	53.6	47.6	44.9	37.6	21
ASV510F-04-13S	1/2"	R1/2	22	21.7	30	87.8	81.8	53.6	47.6	44.9	37.6	21.8
ASV310F-N01-06S	6	NPT1/8	12.7	12.8	17.6	69.9	63.9	45.8	39.8	26.5	23.4	17
ASV310F-N01-08S	8	NPT1/8	12.7	15.2	17.6	71.8	65.8	45.8	39.8	26.5	23.4	19
ASV310F-N02-06S	6	NPT1/4	14.3	12.8	17.6	69.9	63.9	45.8	39.8	30.9	25.4	17
ASV310F-N02-08S	8	NPT1/4	14.3	15.2	17.6	71.8	65.8	45.8	39.8	30.9	25.4	19
ASV410F-N01-08S	8	NPT1/8	12.7	15.2	24	81.1	73.6	52.8	45.3	29.8	26.7	19
ASV410F-N01-10S	10	NPT1/8	12.7	18.5	24	83.2	75.7	52.8	45.3	29.8	26.7	21
ASV410F-N02-08S	8	NPT1/4	14.3	15.2	24	81.1	73.6	52.8	45.3	34.2	28.7	19
ASV410F-N02-10S	10	NPT1/4	14.3	18.5	24	83.2	75.7	52.8	45.3	34.2	28.7	21
ASV410F-N03-08S	8	NPT3/8	17.5	15.2	24	81.1	73.6	52.8	45.3	35.6	30.4	19
ASV410F-N03-10S	10	NPT3/8	17.5	18.5	24	83.2	75.7	52.8	45.3	35.6	30.4	21
ASV510F-N02-10S	10	NPT1/4	17.5	18.5	30	86.2	80.2	53.6	47.6	39.3	33.8	21
ASV510F-N02-12S	12	NPT1/4	17.5	20.9	30	87.8	81.8	53.6	47.6	39.3	33.8	22
ASV510F-N03-10S	10	NPT3/8	17.5	18.5	30	86.2	80.2	53.6	47.6	40.7	35.5	21
ASV510F-N03-12S	12	NPT3/8	17.5	20.9	30	87.8	81.8	53.6	47.6	40.7	35.5	22
ASV510F-N04-10S	10	NPT1/2	22.2	18.5	30	86.2	80.2	53.6	47.6	44.9	37.6	21
ASV510F-N04-12S	12	NPT1/2	22.2	20.9	30	87.8	81.8	53.6	47.6	44.9	37.6	22

Note 1: Reference dimensions. Note 2: Reference dimensions after installation.

<Speed Controller with One-touch Fitting Elbow Type (Metal Body)/AS-F-X40>



Model	d	T	H	D1	D2	L1	L2	L3	(Note 1) L4		(Note 2) A		M
									MAX	MIN	MAX	MIN	
AS22□1-N01-F06S	6	NPT1/8	1/2"	15.5	14.6	26.6	33.9	13.8	35.5	30.5	32.4	27.4	17
AS22□1-N01-F08S	8	NPT1/8	1/2"	15.5	14.6	26.6	33.9	13.8	35.5	30.5	32.4	27.4	18.5
AS22□1-N02-F06S	6	NPT1/4	11/16"	15.5	19.5	28.7	38.5	17.2	40.3	35.3	34.8	29.8	17
AS22□1-N02-F08S	8	NPT1/4	11/16"	15.5	19.5	28.7	38.5	17.2	40.3	35.3	34.8	29.8	18.5
AS22□1-N02-F10S	10	NPT1/4	11/16"	18.2	19.5	34.5	44.3	18.6	40.3	35.3	34.8	29.8	21
AS32□1-N02-F08S	8	NPT1/4	19	18.2	24.3	32.7	44.9	21	48.3	43.3	42.8	37.8	18.5
AS32□1-N02-F10S	10	NPT1/4	19	18.2	24.3	33.3	45.5	21	48.3	43.3	42.8	37.8	21
AS32□1-N03-F08S	8	NPT3/8	19	18.2	24.3	32.7	44.9	19	45.8	44.9	40.6	35.6	18.5
AS32□1-N03-F10S	10	NPT3/8	19	18.2	24.3	33.3	45.5	19	45.8	44.9	40.6	35.6	21
AS42□1-N04-F10S	10	NPT1/2	15/16"	22.3	28.5	36.1	50.4	24.6	54.7	49.7	47.4	42.4	21
AS42□1-N04-F12S	12	NPT1/2	15/16"	22.3	28.5	36.1	50.4	24.6	54.7	49.7	47.4	42.4	22

Note 1: Reference dimensions. Note 2: Reference dimensions after installation.



Caution: To ensure the safest possible operation of this product, please be sure to thoroughly read the "Safety Instructions" in our "Best Pneumatics" catalog before use.