

Membrane Air Dryer

IDG100SA-04□-X471

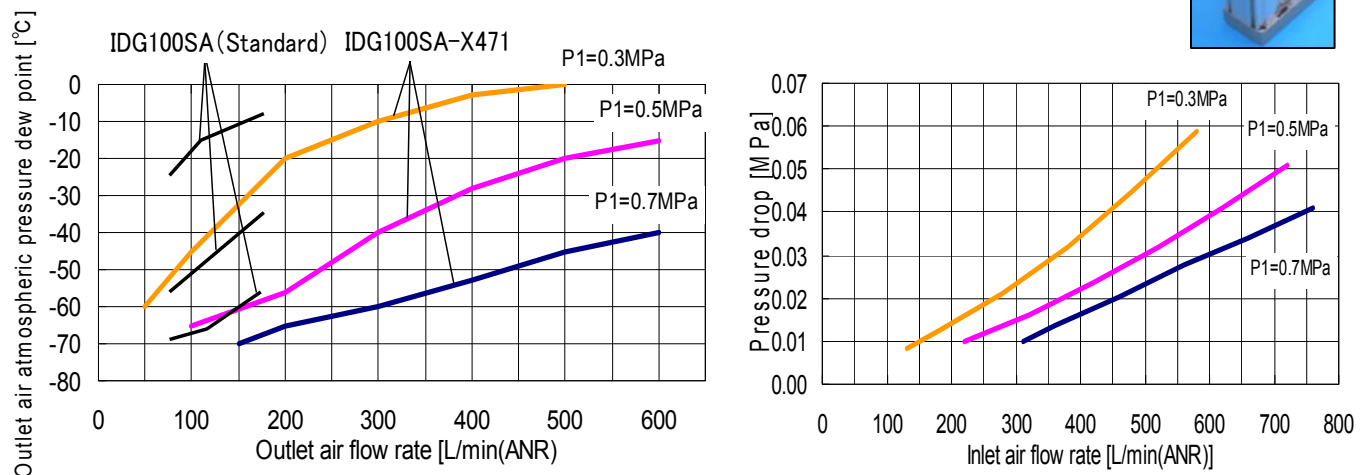
SMC CORPORATION
4-14-1, SOTO-KANDA,
CHIYODA-KU,
TOKYO 101-0021, JAPAN
URL: <http://www.smcworld.com>

■ Features: Compared with the standard type (IN pressure of 0.7 MPa):

- (1) Achieved a double flow rate of 300 L/min. (at outlet atmospheric dew point of -60°C)
- (2) Achieved a dew point of -70°C (at outlet air flow rate of 150 L/min.)



Conditions: Inlet air saturation temperature (IN air pressure dew point): 25°C
Ambient and fluid temperature: 25°C
* "ANR" indicates the flow rate converted to the value at 20°C, under the atmospheric pressure and the state of relative humidity 65%.



■ Specification:

Fluid	Compressed air
Operating pressure range	0.3~1.0 MPa
Ambient and fluid temperature	-5~50°C ^{Note)}
Weight (kg)	8 kg

Note) When using the product in the temperature range between -5°C and 5°C, prevent water droplets from entering the inlet port. (No freezing of the fluid)

Standard performance

Inlet air flow rate L/min(ANR) ^{Note1)}	460
Outlet air flow rate L/min(ANR)	300
Purge air flow rate L/min(ANR) ^{Note2)}	160
Inlet air pressure (MPa)	0.7
Inlet air saturation temperature (°C)	25
Outlet air atmospheric pressure dew point (°C)	-60
Ambient and fluid temperature (°C)	25

Note1) "ANR" indicates the flow rate converted to the value at 20°C, under the atmospheric pressure and the state of relative humidity 65%.

Note 2) Includes 1L/min[ANR] of purge air flow (at 0.7MPa inlet air pressure) for the dew point indicator.

■How to Order:

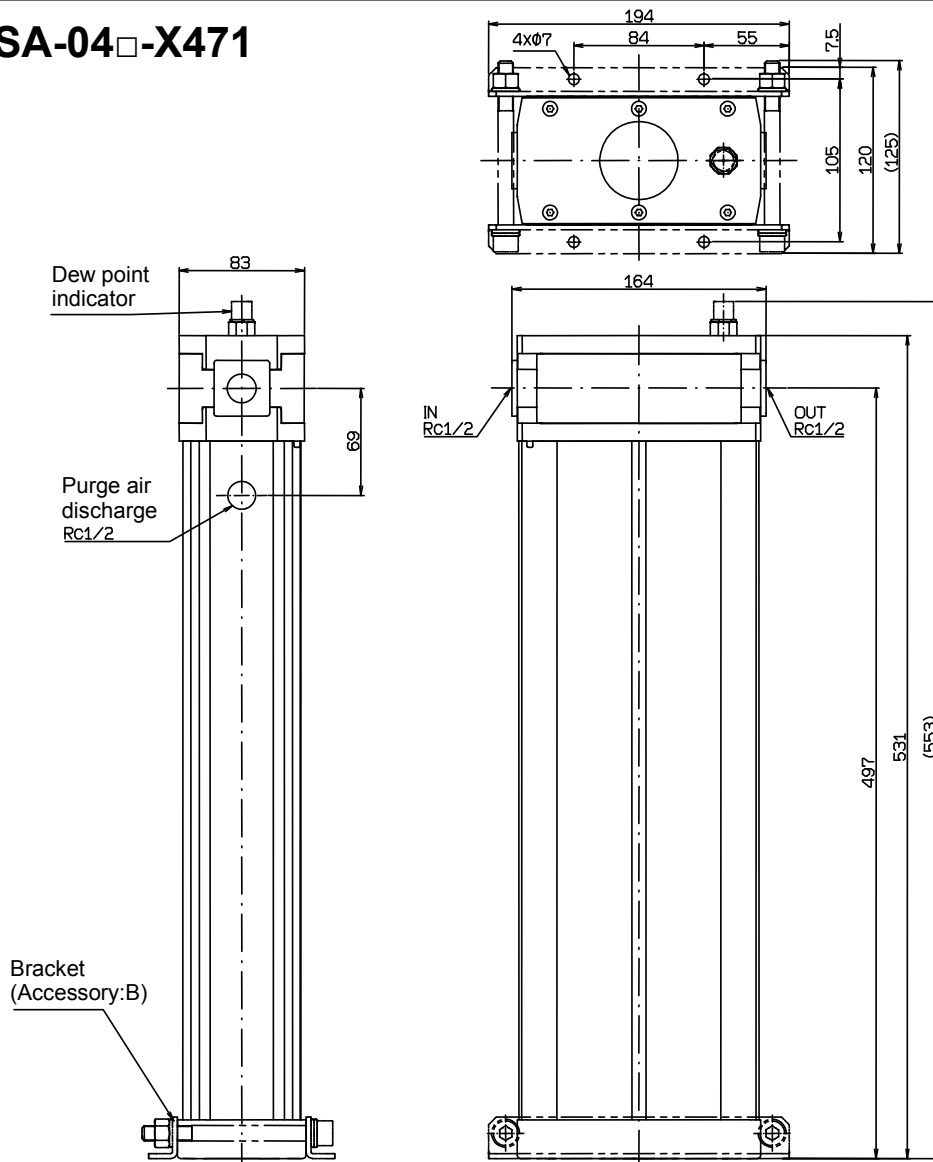
IDG100SA-04□-X471

● Accessory

Nil	None (Standard)
B	with Bracket

■Dimensions: mm

IDG100SA-04□-X471



Note:

1. As a guideline, it takes about 12 hours to reach standard performance of the outlet air atmospheric pressure dew point.
2. When piping to the purge air discharge, please make sure to use a pipe with an internal bore of 13 or more and length of 5 meters or less. Otherwise, it could cause deterioration of performance.
3. Please connect either a fluoropolymer or stainless steel pipe to the outlet port. Otherwise, it cannot achieve the standard performance.
4. Dew point indicator kit and bracket kit are enclosed in the package. Please mount them at the user's site.



Caution To ensure the safest possible operation of this product, please be sure to thoroughly read the "Safety Instructions" in our "Best Pneumatics" catalog before use.