

 Contact our sales office for delivery dates and prices as this is a special model.

SP146X-009E
P: SU

 **P.G.Information** (Specialized Product)

SMC CORPORATION
4-14-1, SOTO-KANDA,
CHIYODA-KU,
TOKYO 101-0021, JAPAN
URL: <http://www.smcworld.com>

Silencers Plug Type

■ Features:

Compact plug type with an integrated BC element!

- Attaches directly to solenoid valves without coming into contact with the supply port



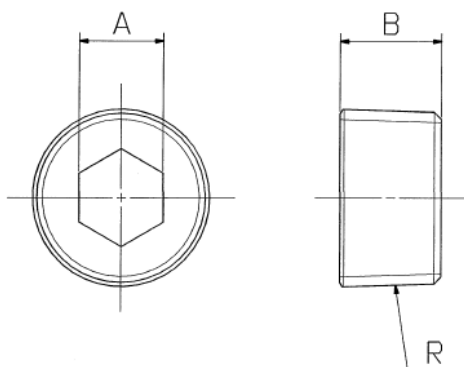
■ Specifications / How to Order

Model	Specifications				Max. operating pressure ^{Note1)}
	Port size	Effective area (mm ²)	Sonic conductance (C)	Noise reduction ^{Note2)} (dB)	
EBKX-W4005	R1/8	1.8	0.36	25	1MPa
EBKY-D7007	R1/4	4.1	0.8	25	
EBKX-W4006	R3/8	5.5	1.1	30	
EBKX-C2002	R1/2	8.2	1.6	30	


Note 1: Inlet pressure of solenoid valve

Note 2: May change depending on the pneumatic circuit or the pressure to be exhausted from the solenoid valve.

■ Dimensions:



Model	mm		
	A	B	R
EBKX-W4005	5	7	R1/8
EBKY-D7007	6	9	R1/4
EBKX-W4006	8	10	R3/8
EBKX-C2002	10	12	R1/2

 **Caution** To ensure the safest possible operation of this product, please be sure to read thoroughly the "Safety Instructions" in our "Best Pneumatics" catalog before use.