

## Flameproof 5 port solenoid valve

NAMUR Interface

50-VFE3190-\*TD-X65  
50-VFE3290-\*TD-X65

SMC CORPORATION  
4-14-1, SOTO-KANDA,  
CHIYODA-KU,  
TOKYO 101-0021, JAPAN  
URL: <http://www.smcworld.com>

### Features:

#### 1. Certified as flameproof in Japan

[Usable in Japan] explosion proof structure d2G4, Ex d II B T4

#### 2. Interface compliant with NAMUR standard

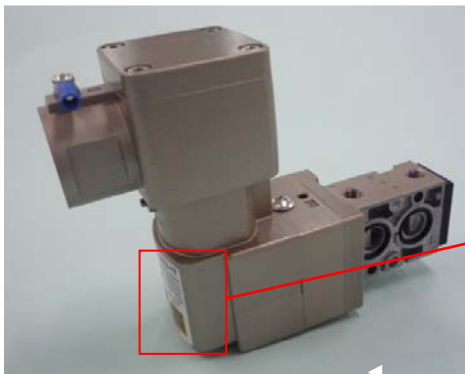
Direct mounting to industrial valve actuators compliant with NAMUR standard.

#### 3. Compliant with construction standards

**(Gas, steam explosion)** d2G4 (Certificate model number: T46132)

#### 4. Compliant with engineering standards based on IEC79

Ex d II B T4 (Certificate model number: TC14604)



Enlarged picture of label

### Specifications

#### 50-VFE3□90-X65

Fluid	Air	
Operating pressure range	2 position single	0.15~0.9MPa
	2 position double	0.1~0.9MPa
Ambient and fluid temperature	-10 to 50°C <sup>(Note1)</sup> (No freezing))	
Response Time <sup>(Note1)</sup>	2 position single·double	45ms or less
Maximum operating frequency	2 position single·double	5Hz
Lubrication	Not required	
Manual operation	Push-turn locking D type	
Mounting orientation	Unrestricted	

Note 1: Based on dynamic performance test JIS B8375-1981 (0.5 MPa, at rated voltage)

## Solenoid Specifications

Rated voltage	AC (50/60Hz)	100V, 200V, 12V*, 24V*, 32V*, 48V*, 110V*, 120V*, 220V*, 240V*	
	DC	24V, 6V*, 12V*	
Allowable voltage fluctuation	-15 to +10% of rated voltage		
Apparent power	AC	Start-up	9.1VA(50Hz) 7.8VA(60Hz)
		Energized	6.2VA(50Hz) 4.6VA(60Hz)
Power consumption	DC	3.5W	
Explosion-proof construction	Explosion proof		
External wiring connection	Flameproof threaded-joint metal conduit		
Electrical entry	Conduit terminal		
Coil insulation type	Class B (130°C)		

## Flow-rate characteristics

Flow-rate characteristics					
1→4/2(P→A/B)			4/2→5/3(A/B→EA/EB)		
C [dm /s·bar]	b	Cv	C [dm /s·bar]	b	Cv
4.7	0.09	1.0	2.5	0.37	0.75

## How to Order

### NAMUR Interface 5 port solenoid valve 50-VFE3□90-X65 Series

50-VFE 3 ① 9 0 - ②③④ - X65

● Explosion-proof□

50- □ Pressure-resistant and Explosion proof

#### ①Type

Symbol	Type of actuation
1	Single
2	Double

#### ④Manual override

Symbol	Manual override
D	Push-turn locking D type (slotted type)

#### ②Rated voltage

Symbol	voltage	Symbol	voltage
1	AC100V 50/60Hz	*8	AC48V 50/60Hz
2	AC200V 50/60Hz	*A	AC12V 50/60Hz
*3	AC110V 50/60Hz	*B	AC24V 50/60Hz
*4	AC220V 50/60Hz	*F	AC32V 50/60Hz
5	DC24V	*V	DC6V
*6	DC12V	*16	AC120V 50/60Hz
*7	AC240V 50/60Hz		

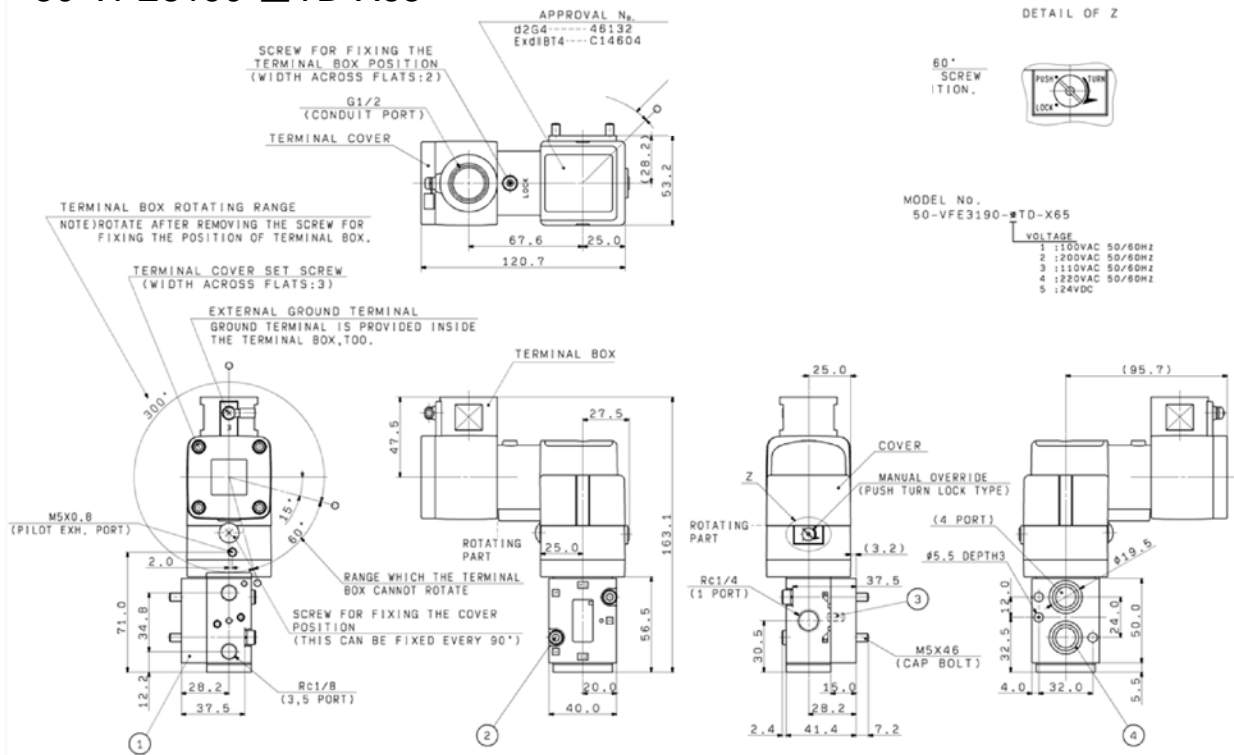
\*Semi-standard

#### ③External wire connection

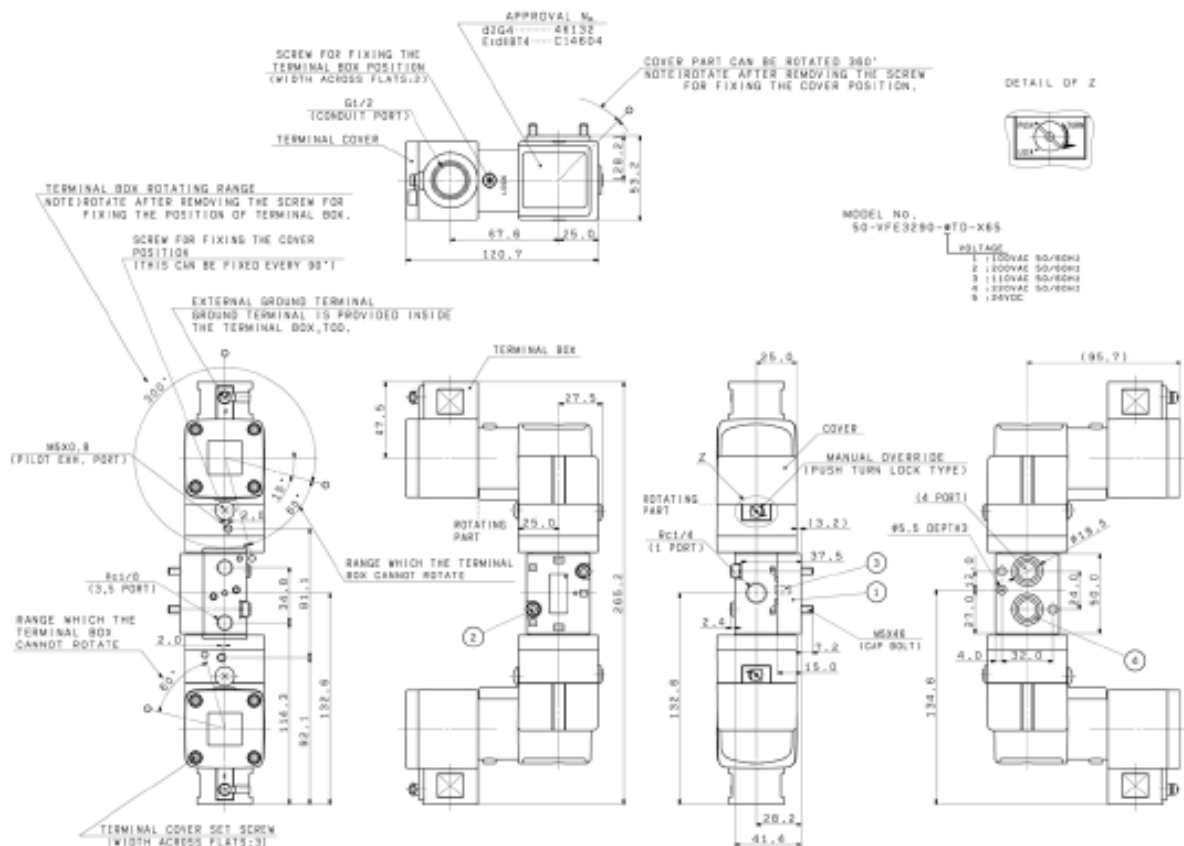
Symbol	External wire connection
T	Electric conduit pressure-resistant screw connection

# Dimensions: mm

## 50-VFE3190-□TD-X65



## 50-VFE3290-□TD-X65



**Caution** To ensure the safest possible operation of this product, please be sure to thoroughly read the "Safety Instructions" in our "Best Pneumatics" catalog before use.