

 Contact our sales office regarding delivery dates or prices as this is a special model.

SP151X-018E
P: UP



P.G. Information (Specialized Product)

Dual pressure relief 3 port solenoid valve compatible with safety control system (1MPa) VP544-X585

SMC CORPORATION
4-14-1, SOTO-KANDA,
CHIYODA-KU,
TOKYO 101-0021, JAPAN
URL: <http://www.smcworld.com>

■ Features:

Addition of the 1MPa type to residual
pressure relief valve with soft start-up function



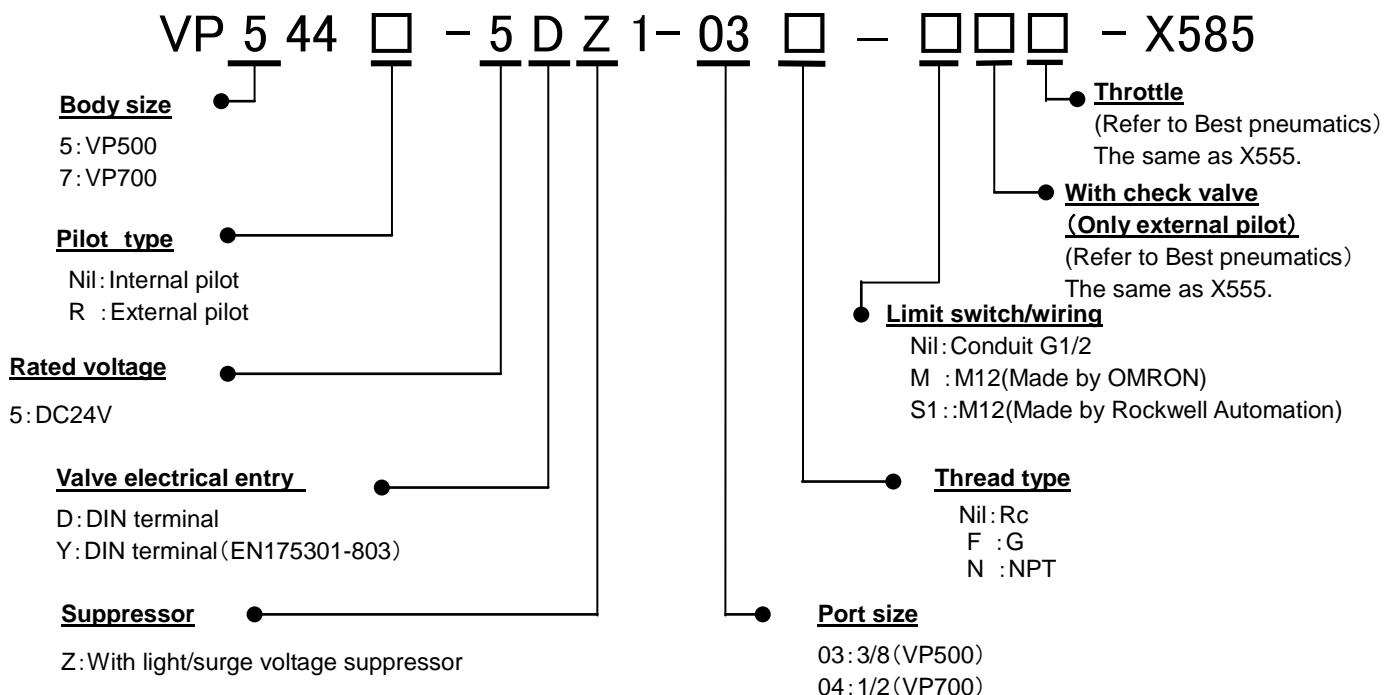
Compliant to safety standard ISO13849-1 category 3, 4*

Model	Application
VP544-X585 VP744-X585	Safety standard ISO13849-1 category 3 and 4*

* This product is a component of a safety system and safety equipment is not guaranteed by individual units.

■ How to Order:

◇ VP544-X585, VP744-X585



■ Specifications:
 <Valve Specifications>

	VP544-X585* VP744-X585*	VP544R-X585 VP744R-X585
Fluid	Air	
Type of actuation	NC (Return spring)	
Operating pressure range	0.25 to 1.0MPa	
Operation	Internal pilot type	External pilot type
External pilot pressure	-	0.25 to 1.0MPa (Same as operating pressure)
Max.operating frequency	30 times/min.	
Min. operating frequency	1 time/week	
Ambient and fluid temperature	-10 to 50°C (No freezing)	
Ambient humidity	20 to 90%RH (No condensation)	
Lubrication	Not required	
Shock/Vibration	150/30 m/s ²	
Enclosure	IP65	
Operating environment	Indoors	
Weight	1105g (VP544-X585)/ 2000g (VP744-X585)	
B10D (MTTFD Calculation)	5,000,000 times (VP544-X585)/ 5,000,000 times (VP744-X585)	

*1: If there is not enough air supply at the P port or the supply pressure for the valve decreases to 0.25MPa or less of the min. operating pressure, the valves may not switch correctly. Please utilize the external pilot type (VP544R-X585, VP744R-X585) and supply enough air pressure to the external port in such a case.

<Fluid>

◇ VP544(R)-X585

Flow rate characteristics	1→2 (P→A)	2→3 (A→R)
C [dm ³ /(s·bar)]	5.2	6.7
b	0.06	0.10
Cv	1.1	1.3

◇ VP744(R)-X585

Flow rate characteristics	1→2 (P→A)	2→3 (A→R)
C [dm ³ /(s·bar)]	9.8	9.7
b	0.08	0.08
Cv	2.1	2.1

<Solenoid Specifications>

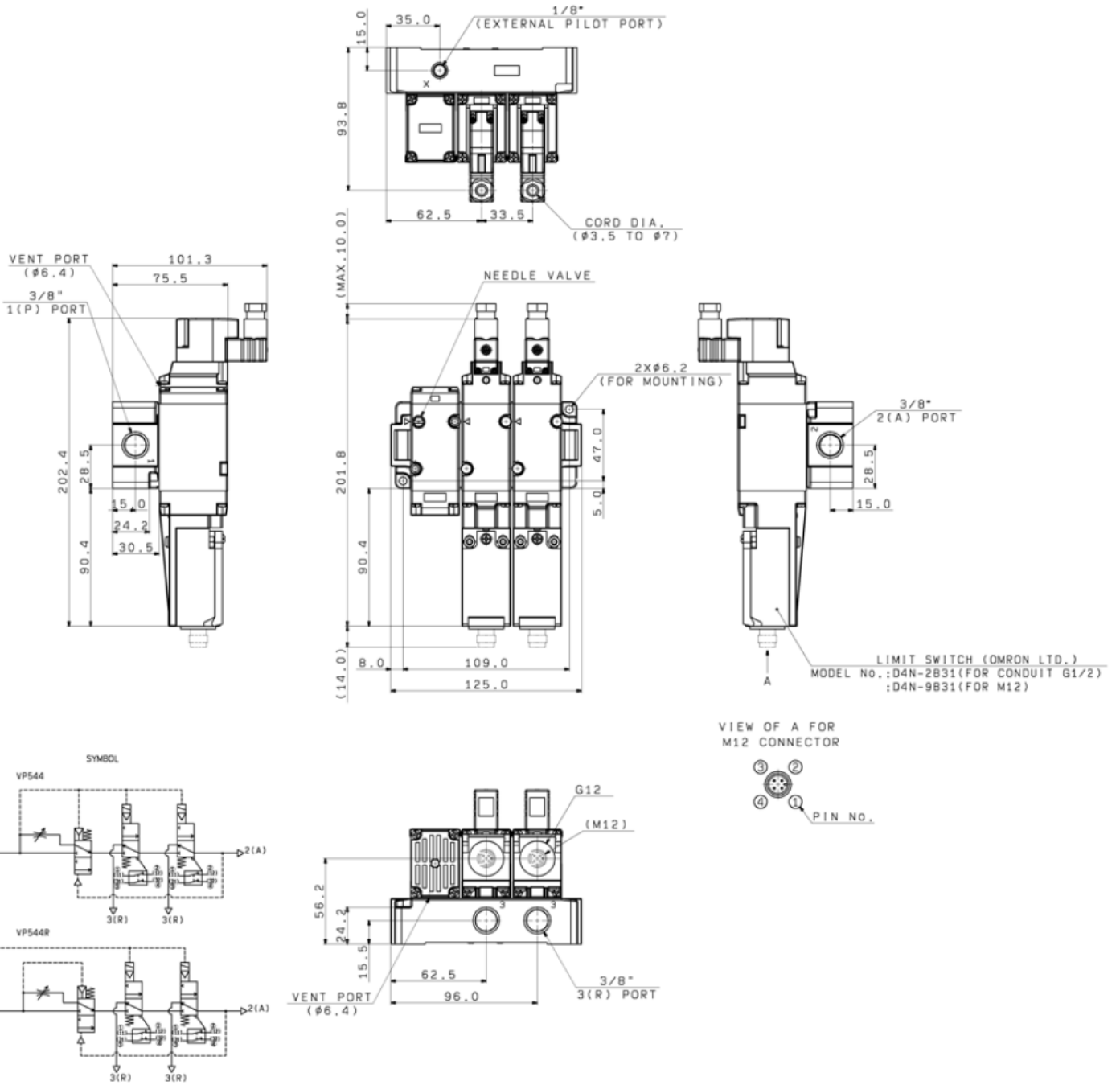
Electrical entry	DIN terminal
Rated voltage	DC24V
Allowable voltage Fluctuation	-10% to +10% of rated voltage
Power Consumption	0.45W
Surge voltage suppressor	Varistor
Indicator	LED

<Limit switch Specifications>

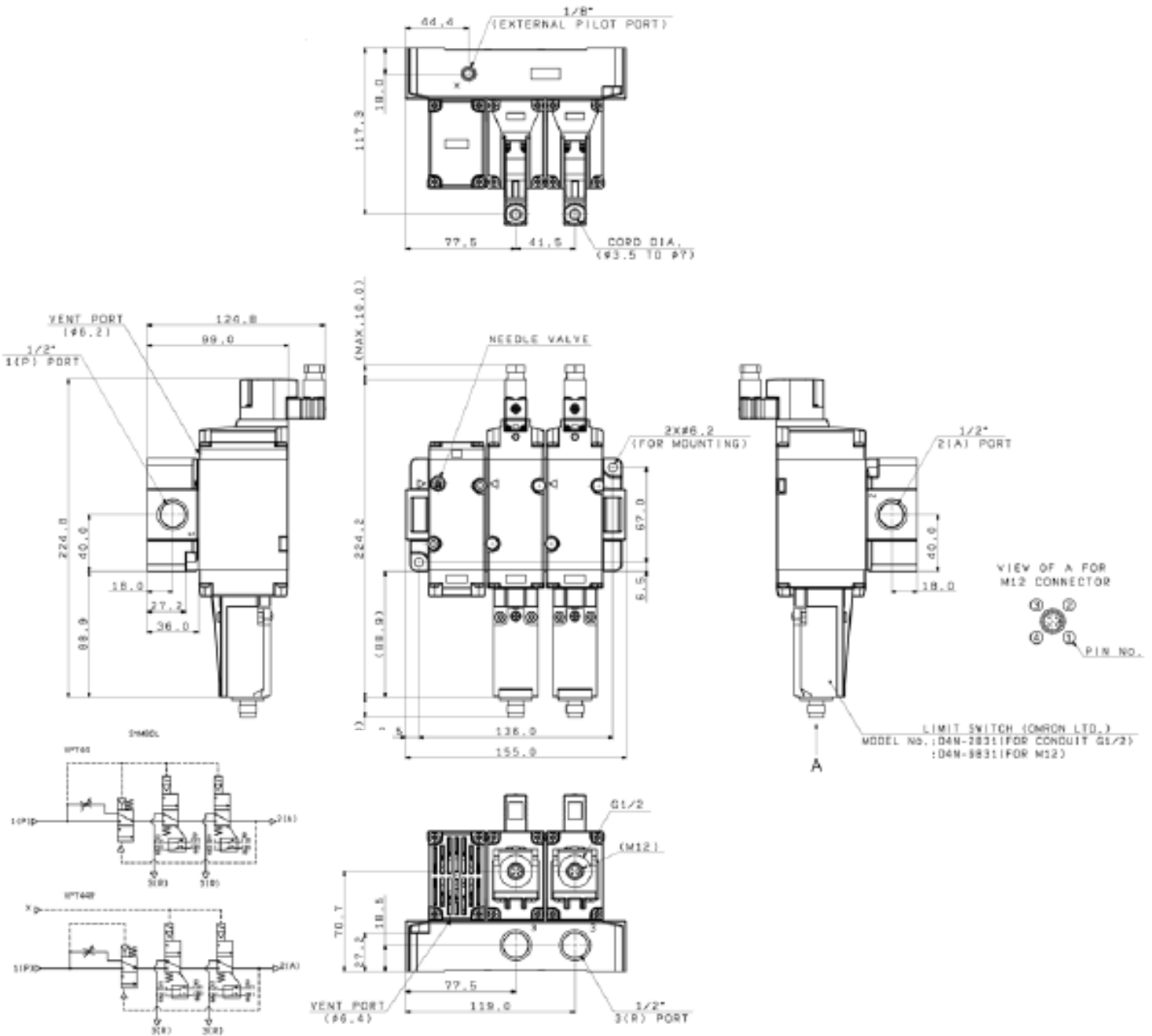
Electrical wiring	Conduit G1/2, M12 Connector
Contact resistance	50mΩ or less
Min. applicable load	DC5V 1mA (Load resistance)
Max. voltage	DC24V
Max. load current	50mA
Max. load inductance	0.5H
Insulation voltage	300V
Protection against electric shock	Class II (EN60947-5-1:2004)

Exterior dimensions: mm

◇ VP544(R)-X585



◇ VP744(R)-X585



Caution To ensure the safest possible operation of this product, please be sure to read thoroughly the "Safety Instructions" in our "Best Pneumatics" catalog before use.