

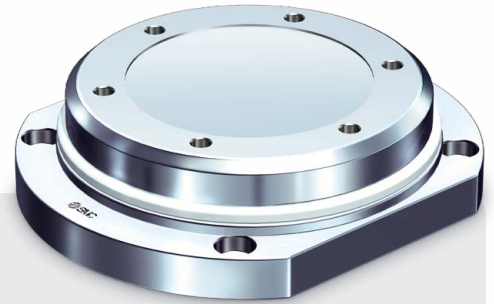
! Contact our sales office for delivery dates and prices as this is a special model.

Specialized Product

Point to Group
P.G. information

Centering Unit

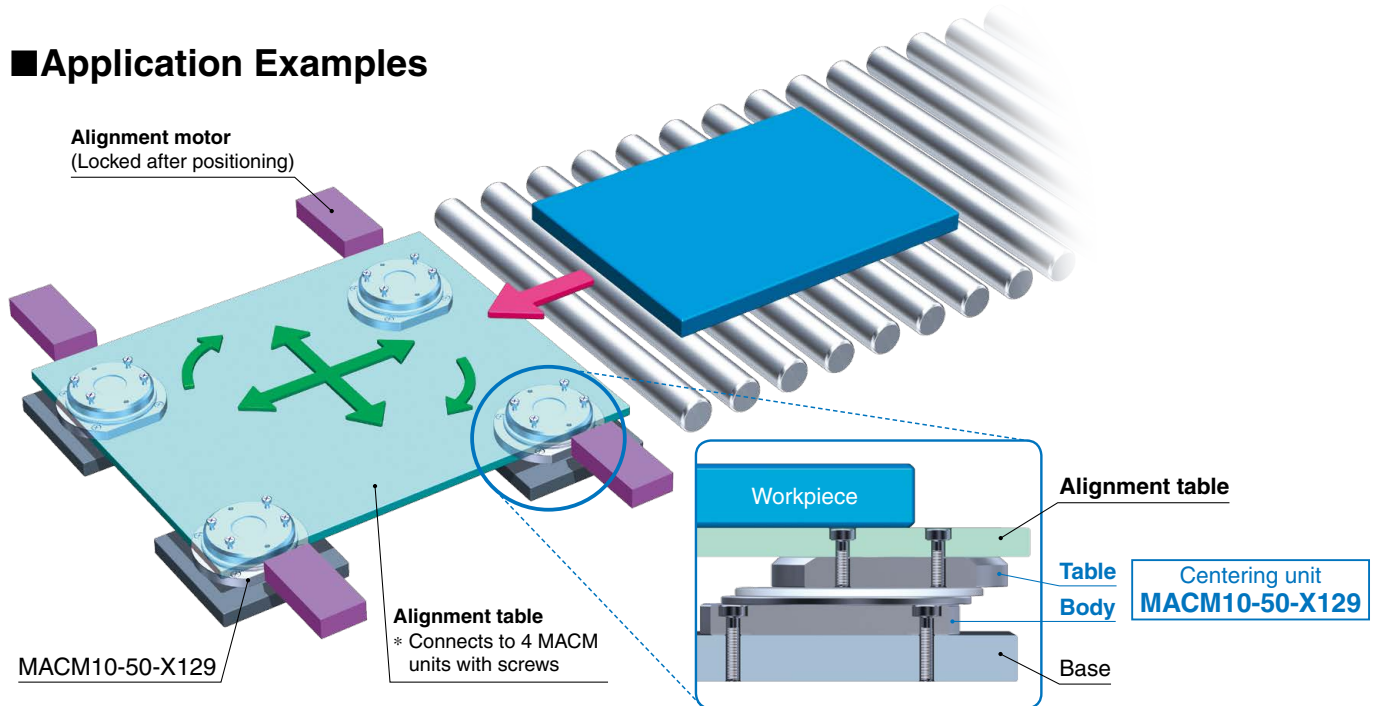
MACM10-50-X129



Features

- **Height accuracy: ± 0.05 mm**
(Current model: ± 0.5 mm)
- Multiple centering units can be connected to the table.
- Workpiece mounting holes (M8 x 1.25) have been added to the table.
- **Table material: Stainless steel**
- **Workpieces can be moved in any direction:**
forward/backward, right/left, at an angle, and even rotated (360°).

Application Examples



Specifications

Model	MACM10-50-X129	
Max. allowable load weight	kN	10
Table center movable range	mm	$\phi 100$
Centering accuracy	mm	± 1 or less
Sensor type		Unsupported
Weight	kg	10.5
Lock mechanism		None

How to Order

MACM10-50-X129

Height accuracy: ± 0.05 mm specification



Caution

To ensure the safest possible operation of this product, please be sure to thoroughly read the "Safety Instructions" in our "Best Pneumatics" catalog before use.

SMC Corporation 4-14-1, SOTO-KANDA, CHIYODA-KU, TOKYO 101-0021, JAPAN URL: <http://www.smcworld.com>

©2018 SMC Corporation All Rights Reserved

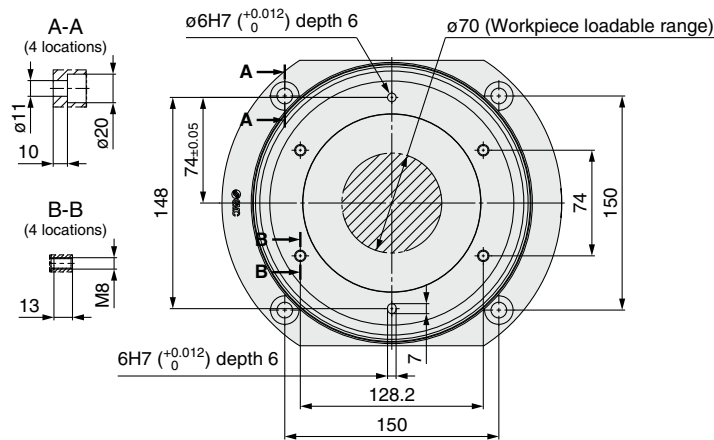


SP173X-014E
P: WR

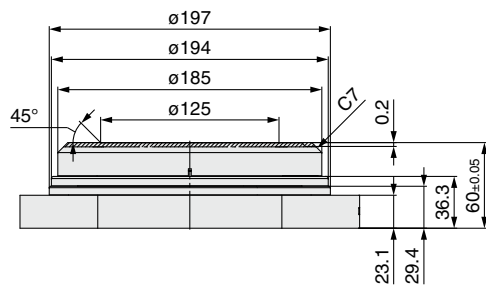
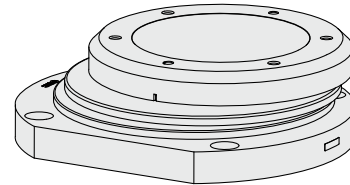
Ⓐ

Dimensions

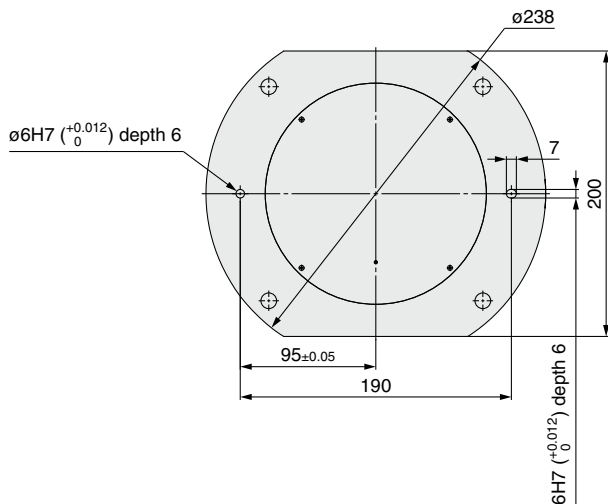
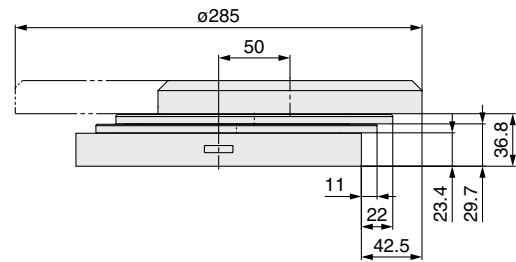
[mm]



Isometric drawing (At maximum offset)



At maximum offset



⚠ Caution

- Use within the range of specifications.
- Use the product within the movable range.
- Do not do any of the following actions.
 - Apply impact on the side of the table to move it to full stroke
 - Continuously move the table in a circle while the table is at full stroke
 - Repeatedly reciprocate the table at full stroke
 - Hold the body and swing the table
- If there is a possibility of over strokes, please consider the installation of prevention walls, etc.
- Secure the table in place so that it does not move freely when the product or the equipment it is mounted on is being transported.