

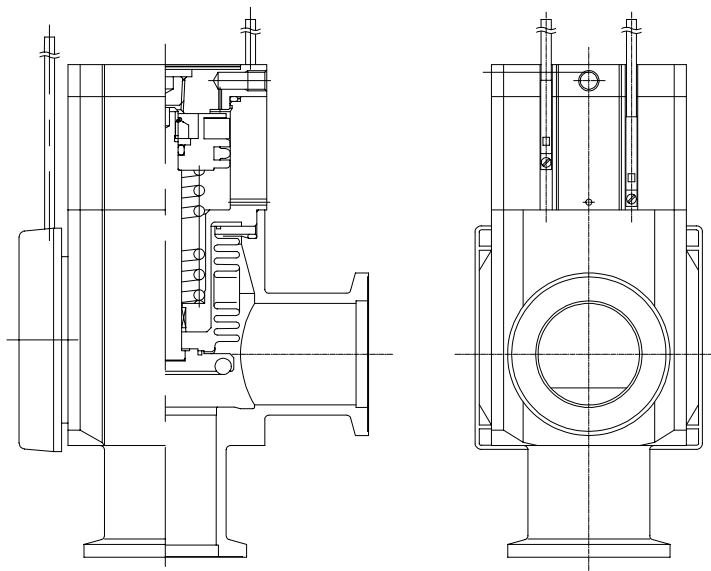
High Vacuum Angle Valve

SMC CORPORATION
1-16-4 Shimbashi, Minato-ku
Tokyo 105-0004, JAPAN
URL: <http://www.smcworld.com>

XLB-25

Feature 1: N.O. specification (Only N.C. type for Series XLA)

Please contact your SMC sales representative if you would like to use auto switch with heater.



Specifications

High vacuum angle valve

Valve type	N.O. type (Pressurize to close, bellows seal)	
Fluid	Non-corrosive gas for aluminum alloy (A6063) and SUS304/316	
Ambient and operating temperature	5 to 60°C (Option 5 to 150°C (*1))	
Operating pressure	Atmospheric pressure to 1×10^{-6} Pa (for absolute pressure)	
Conductance (*2)	14L/sec	
Leakage Pa·m ³ /s	External	1.3×10^{-11} or less (At ordinary temperatures, excluding gas permeation)
	Internal	1.3×10^{-10} or less (At ordinary temperatures, excluding gas permeation)
Operating time (*3)	0.1sec	
Flange type	KF25	
Principal materials	Body: Aluminum alloy, Bellows: Stainless steel, Seal: FKM	
Actuation pressure	0.4 to 0.7MPa	
Actuation port size	M5	
Service life	2 million cycles	
Weight	0.45kg	

*1) When auto switches are attached, 5 to 150°C is not applicable.

*2) Conductance is the same as that of an elbow with the same dimensions.

*3) The time required for 90% valve movement when an actuation pressure of 0.5MPa is applied.
There is a difference of about 20% in this value at the upper and lower pressure limits.

Heaters (*4)

Rated heater voltage	90 to 125VAC	
Heater power W (nominal value)	H1: 80°C	200/10
In-rush/Consumption (power)	H3: 120°C	200/30

*4) In-rush current will flow to the heater for several tens of second and will then subside.

Please refer to our high vacuum angle valve (Series XL) catalogue (CAT.E829) for other details.

Auto switch specification (*5)

*5) Please refer to our Best Pneumatics (general catalogue) for the details of auto switch.

How to Order

XLB-25 -

Flange size ————
 Actuation port direction (*6) ————
 Auto switch Qty./Mounting position (*7) ————
 Auto switch type (*7) ————
 Temperature specifications/Heater ————

Nil	Flange side
K	Left flange surface
L	Rear flange surface
M	Right flange surface

Nil	Temp. range: 5 to 60°C	No heater
H0		No heater
H1	Temp. range: 5 to 150°C	With heater for 80°C
H3		With heater for 120°C

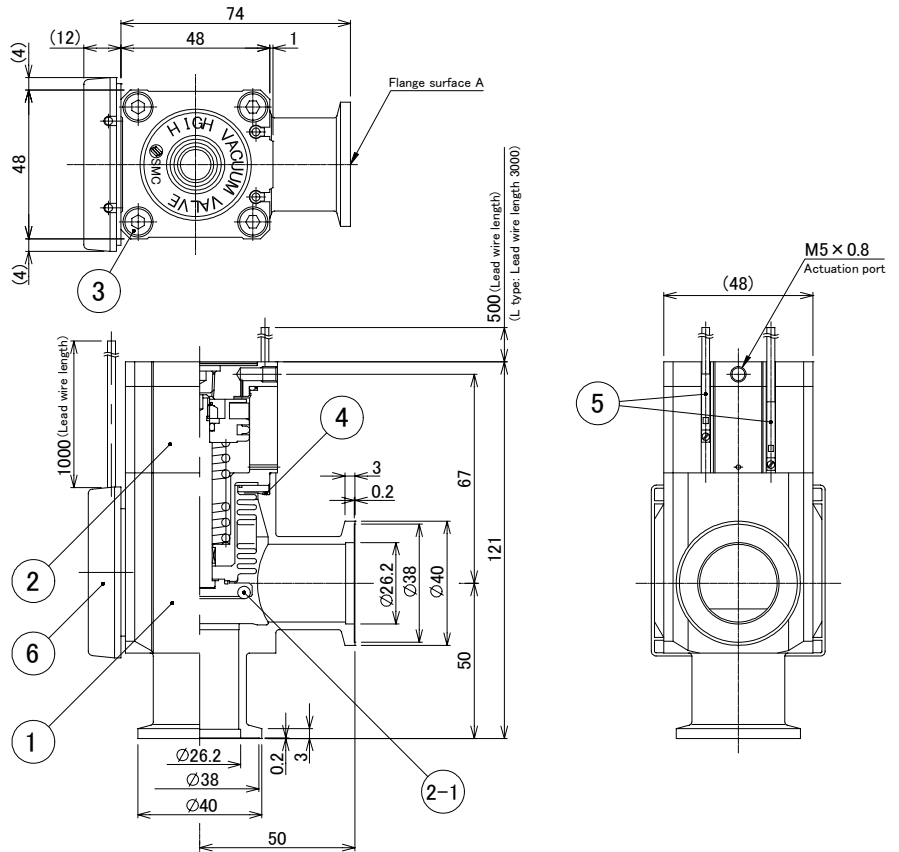
*6) Actuation port direction
 (EX) Left flange surface: Indicates that the direction of the actuation port is to the left side when flange surface A (refer to Dimensions) is viewed from the front.

*7) Choose part number from How to Order shown below.

Auto switch type		
Nil	—	Without auto switch
F9//	—	Without auto switch (With magnet)
F9N(L)	Solid state auto switch	D-F9N(L)
F9P(L)		D-F9P(L)
F9B(L)		D-F9B(L)
A90(L)	Reed auto switch	D-A90(L)
A93(L)		D-A93(L)

Auto switch Qty./Mounting position	
Nil	Without auto switch
A	2 pcs. (When valve open/close, each switch is ON)
B	1 pc. (When valve open, a switch is ON)
C	1 pc.. (When valve close, a switch is ON)

Dimensions: mm



Component parts

No.	Description	Material	Qty.	Notes
1	Body	A6063-T6	1	—
2	Bonnet assembly	—	1	For high temp.: Option
2-1	O-ring	FKM	1	—
3	Hexagon socket head cap screw	SUS × M7	4	M5 × 0.8, L=35
4	O-ring	FKM	1	—
5	Auto switch	—	n	Option
6	Heater assembly	—	1	Option

To ensure the safest possible operation of this product, please be sure to read thoroughly the "Safety Instruction" in our "high vacuum angle valve (Series XL) catalogue" (CAT.E829) before use.