

Digital FlowSwitch / Wide range type

SMC CORPORATION
4-14-1, Soto-Kanda, Chiyoda-ku,
Tokyo 101-0021, JAPAN
URL: <http://www.smcworld.com>

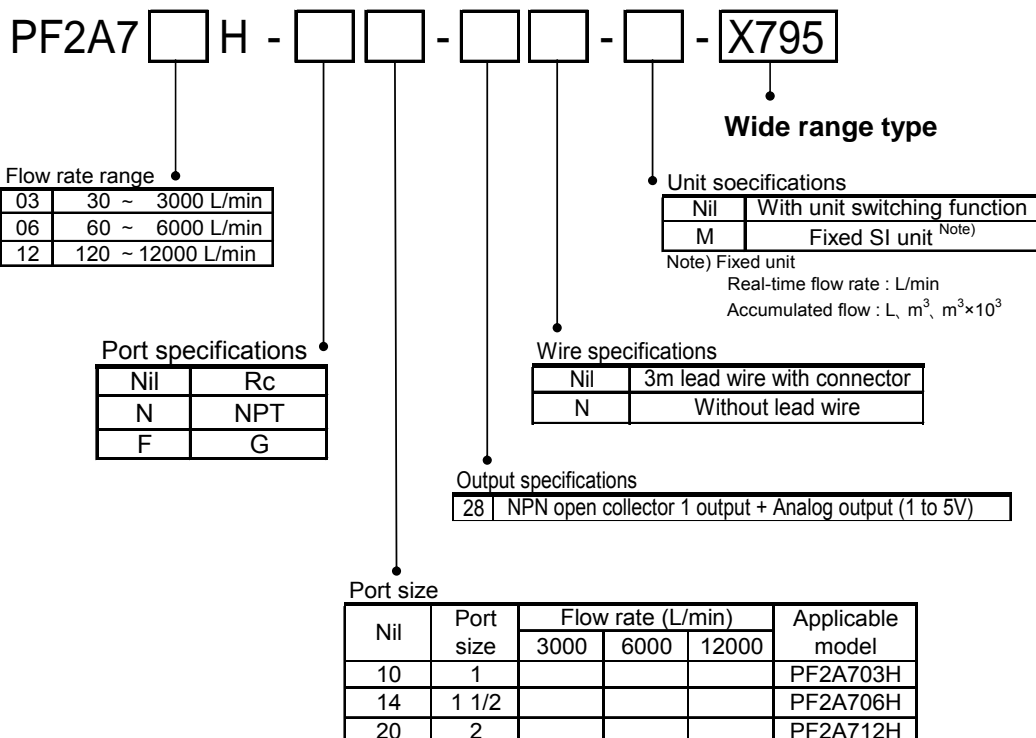
PF2A7*H-*-X795

Feature : Expansion of flow rate measurement range.
Minimum measurement flow rate is expanded from 1/20(standard) of maximum flow to 1/100.

Model	Flow rate measuring range	Reference) Standard type
PF2A703H-*-X795	30 to 3000 L/min	150 to 3000L/min
PF2A706H-*-X795	60 to 6000 L/min	300 to 6000L/min
PF2A712H-*-X795	120 to 12000 L/min	600 to 12000L/min



How to Order



Specifications

Model		PF2A703H-*-X795	PF2A706H-*-X795	PF2A712H-*-X795
Measured fl		Air,Nitrogen		
Detection type		Heater type		
Flow rate measuring rang ^{NOTE1)}		30 to 3000 L/min	60 to 6000 L/min	120 to 12000 L/min
Minimum set unit ^{NOTE1)}		5 L/min	10 L/min	
Display unit ^{NOTE2)}	Real-time flow rate	L/min,CFM		
	Accumulated flow	L, m ³ , m ³ ×10 ³ , ft ³ ×10 ³ , ft ³ ×10 ⁶		
Operating pressure range		0.1 to 1.5MPa		
Proof pressure		2.25MPa		
Accumulated flow range		0 to 9,999,999,999 L		
Linearity	Display accuracy	±3 %F.S. or less (0.7MPa, at 20)		
	Analog output	±5 %F.S. or less (0.7MPa, at 20)		
Repeatability		±1.0 %F.S. or less (0.7MPa, at 20)		
Pressure characteristics		±1.5 %F.S. or less (0.1 to 1.5MPa, based on 0.7MPa)		
Temperature characteristics		±2.0 %F.S. or less (0 to 50 , based on 25)		
Output specifications	Switch output ^{NOTE3)}	NPN open collector Max. load current : 80mA , Max. applied voltage : 30V, Internal voltage drop : 1V or less (With load current of 80mA)		
	Accumulated pulse output ^{NOTE3)}	NPN open collector	Flow rate per pulse : 100 L/pulse, 10.0ft ³ /pulse Pulse wigth : 50msec	
	Analog output ^{NOTE4)}	Output voltage : 1 to 5V , Load impedance : 100kΩ or more Output voltage : 4 ~ 20mA , Load impedance : 250Ω or more		
Response time		1sec. Or less		
Power supply voltage		24VDC (Ripple ±10% or less)		
Current consumption		150mA or less		
Resistance	Enclosure	IP65		
	Operation tempersture range	0 to 50 (No condensation)		
	Withstand voltage	1000VAC for 1 min. between external terminal and case		
	Insulation resistanc	50MΩ (500VDC) between external terminal and case		
	Vibration resistance	10 to 500Hz at whichever is smaller : 1.5mm amplitude or 98m/s ² acceleration, in X,Y,Z directions for 2 hrs. each		
	Impact resistance	490m./s ² in X,Y,Z directions 3 time each		
	Noise resistance resistance	1000Vp-p Pulse width 1 μs, Rise time 1 ns		
Weight (Without lead wire)		1.1kg	1.3kg	2kg
Port size (Rc, NPT, G)		1	1 1/2	2

Note1) Flow rate display can be switched between the base cundition of 0 , 101.3kPa and the standard condition(ANR) of 20 , 101.3kPa , and 65%RH

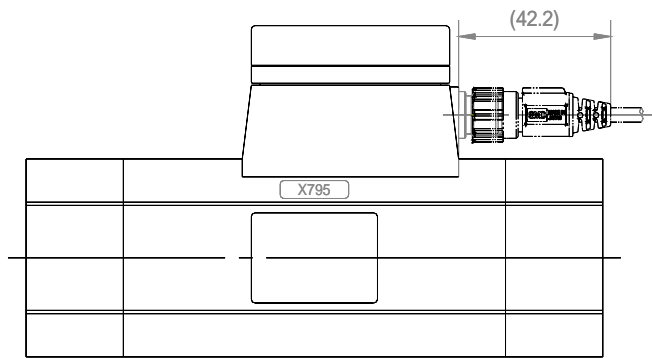
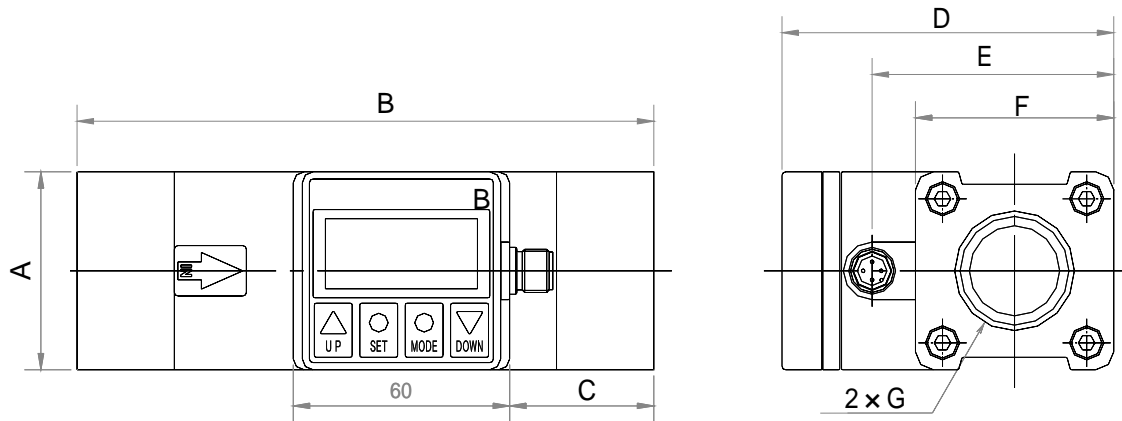
Note2) For digital flow switch with unit switching function. (Fixed SI unit [(L/min, or L, m³, m³×10³)] will be set for switch type without the unit switching function.)

Note3) Switch output and accumulated pulse output selections are made using the button controls.

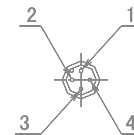
Note4) The analog output operates only for real-time flow rate , and does not operate for accumulated flow.

Dimensions: mm

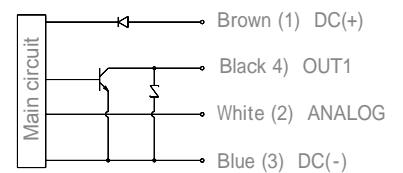
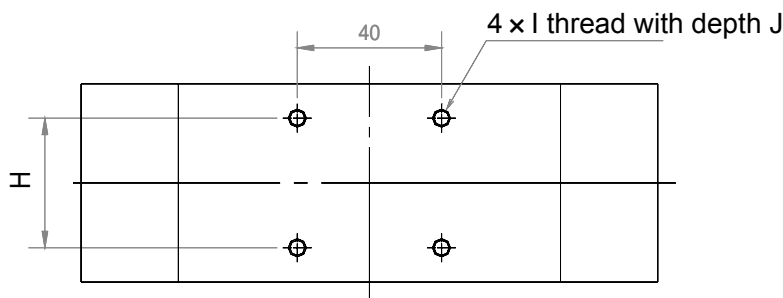
PF2A703H*-X795、PF2A706H*-X795、PF2A712H*-X795



Connector pin numbers



Pin no.	Pin description
1	DC(+)
2	アナログ出力
3	DC(-)
4	OUT1



型式	A	B	C	D	E	F	G	H	I	J
PF2A703H**-X795	55	160	40	92	67	55	Rc1, NPT1, G1	36	M5 x 0.8	8
PF2A706H**-X795	65	180	45	104	79	65	Rc1 1/2, NPT1 1/2, G1 1/2	46	M6 x 1	9
PF2A712H**-X795	75	220	55	114	89	75	Rc2, NPT2, G2	56	M6 x 1	9

⚠ Caution: To ensure the safest possible operation of this product, please be sure to read thoroughly the "Safety Instructions" in our "Best Pneumatics" general catalog before use.