

 Contact our sales office regarding a delivery date or a price since this is a special model.

SP105X-009E
P: OW

 *P.G.Information (Specialized Product)*

Digital Pressure Switch **ZSE80F-~~~~~-~~~~~-~~~~~-~~~~~-X555**

SMC CORPORATION
4-14-1, SOTO-KANDA,
CHIYODA-KU,
TOKYO 101-0021, JAPAN
URL: <http://www.smcworld.com>

■Feature:

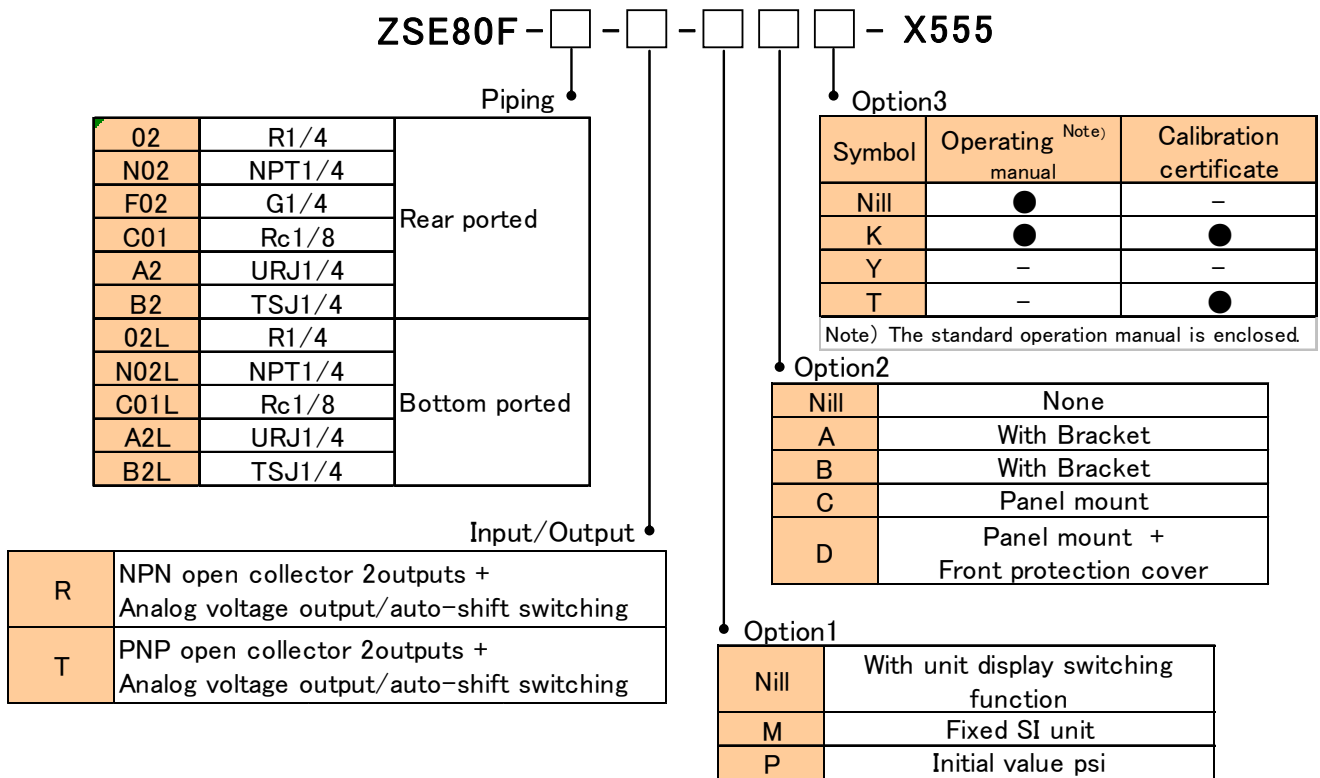
Different rated pressure range
-100 kPa to 300kPa



■Applications:

- Detection of vacuum break (100 kPa or more)
- Detection of pulsation in water pressure around 200 kPa

■ How to order:



■ Different specifications from the standard model:

< Specifications >

Model	ZSE80F-※-※-※※※-X555
Rated Pressure range	-100 to 300kPa
Set Pressure range	-110 to 330kPa
Minimum setting unit	1kPa
Analog output voltage	1~5V±3%F.S. Linearity: 1.5%F.S.
Display accuracy	±3%F.S.±1 digit (Ambient temperature of 25±3°C)

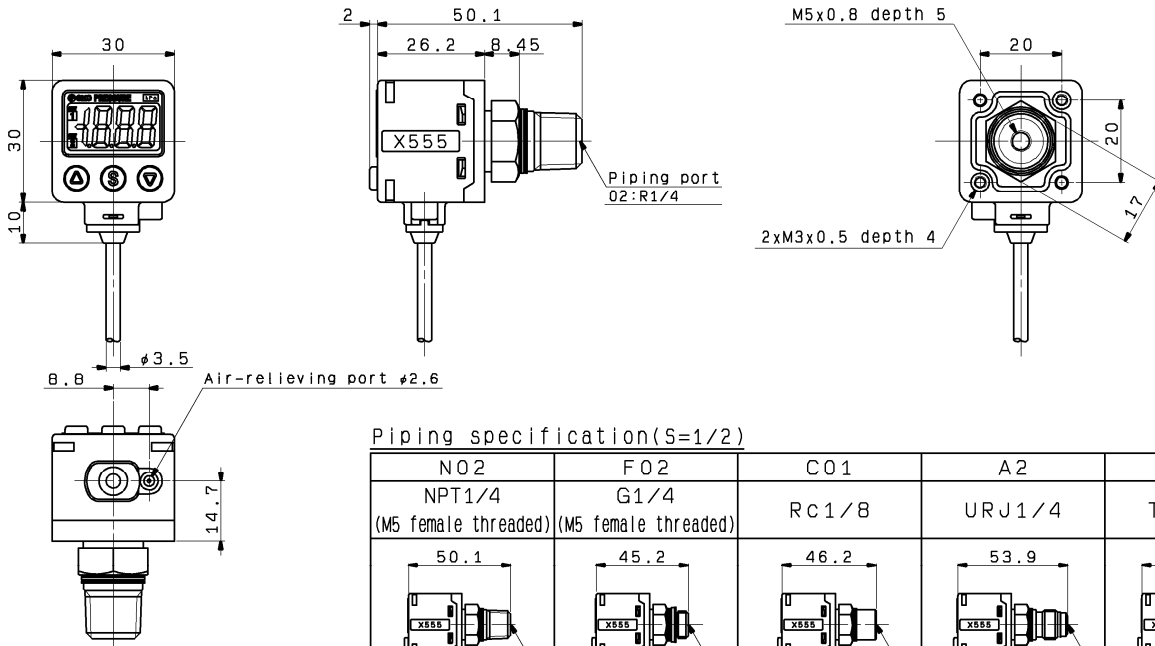
< Unit display switching function >

Pressure range	Minimum setting unit	Rated Pressure range	Set Pressure range	Set pressure range when auto shift input is used
PA	kPa	-100 to 300	-110 to 330	-440 to 440
	MPa	-0.100 to 0.300	-0.110 to 0.330	-0.440 to 0.440
GF	kgf/cm ²	-1.02 to 3.06	-1.12 to 3.37	-4.49 to 4.49
bAr	bar	-1.00 to 3.00	-1.10 to 3.30	-4.40 to 4.40
PSi	psi	-14.5 to 43.5	-16.0 to 47.9	-63.9 to 63.9
inH	inHg	-29.5 to 88.5	-32.5 to 97.4	-129.9 to 129.9
mmH	mmHg	-750 to 2250	-825 to 1999※	-1999 to 1999※

※When mmHg is selected, it is incapable of being set or indicating over ±1999.

■ Dimensions: mm

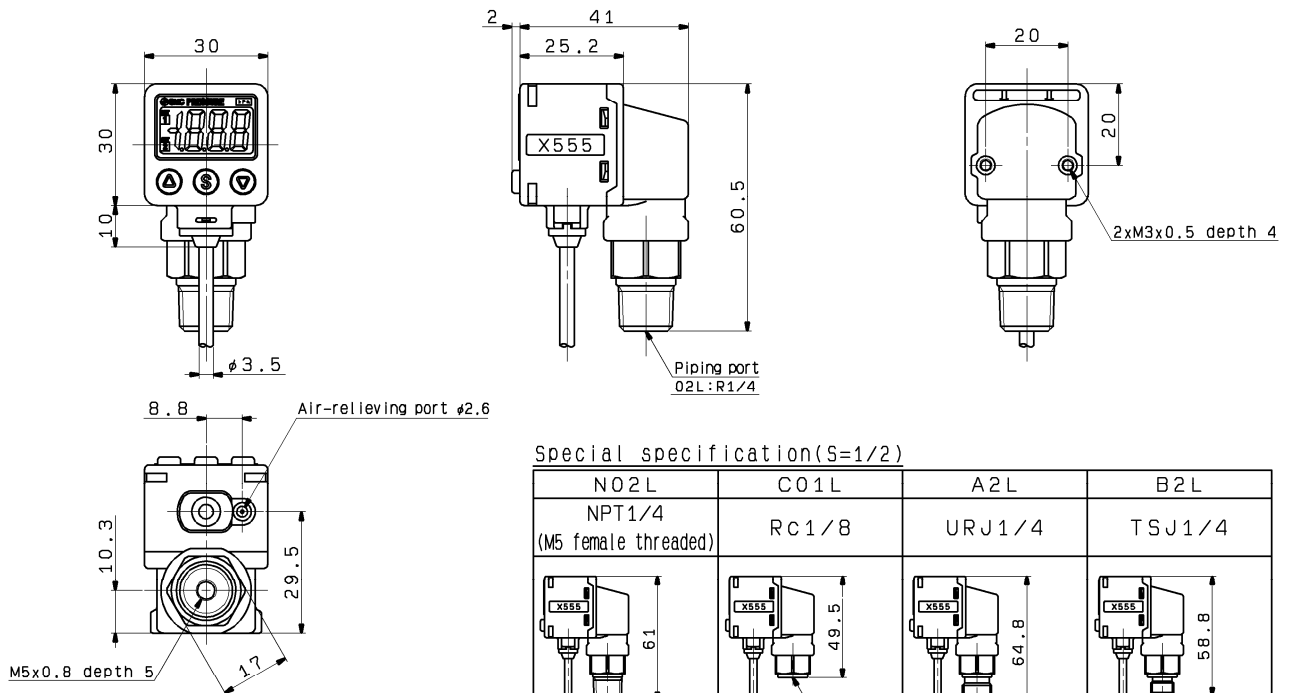
<ZSE80F-※-※- X555>



Piping specification(S=1/2)

N02 NPT1/4 (M5 female threaded)	F02 G1/4 (M5 female threaded)	C01 Rc1/8	A2 URJ1/4	B2 TSJ1/4
50.1	45.2	46.2	53.9	47.9

<ZSE80F-※L-※- X555>



Special specification(S=1/2)

N02L NPT1/4 (M5 female threaded)	C01L Rc1/8	A2L URJ1/4	B2L TSJ1/4
61	49.5	64.8	58.8

⚠ Caution To ensure the safest possible operation of this product, please be sure to read thoroughly the "Safety Instructions" in our "Best Pneumatics" catalog before use.