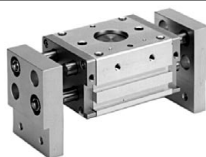


Series 11-22-MHL2

ø10, ø16, ø20, ø25, ø32, ø40
Parallel Type Wide Opening Air Gripper

How to Order



• Clean series
11 Vacuum suction type

11—MHL 2—16 □ D 1—M9N □

22—MHL 2—16 □ D 1—M9N □

• Wide opening

• Number of fingers
2 2 fingers

• Bore size

10	10 mm
16	16 mm
20	20 mm
25	25 mm
32	32 mm
40	40 mm

• Copper, fluorine and silicone-free +
Low particle generation

22 Vacuum suction type

• Number of auto switches

NII	2 pcs.
S	1 pc.
n	n pcs.

• Auto switch

NII Without auto switch (Built-in magnet)

• Open/Close stroke (mm)

Symbol	Bore size					
	ø10	ø16	ø20	ø25	ø32	ø40
NII	20	30	40	50	70	100
1	40	60	80	100	120	160
2	60	80	100	120	160	200

• Action

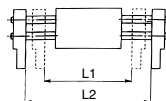
D Double acting

• Port thread type

Nil	M	ø10, ø16, ø20, ø25
	Rc	ø32, ø40
TN	NPT	ø32, ø40
TG	G	ø32, ø40

Model/Stroke

Model	Bore size (mm)	Maximum operating frequency (c.p.m)	Open/Close stroke (mm) (L2-L1)	Width at closing (mm) (L1)	Width at opening (mm) (L2)	Weight (g)
11-22 MHL2-10D	10	60	20	72	92	340
11-22 MHL2-10D1		40	40	94	134	405
11-22 MHL2-10D2		60	60	112	172	485
11-22 MHL2-16D	16	60	30	84	114	660
11-22 MHL2-16D1		40	60	126	186	870
11-22 MHL2-16D2		80	146	226	1010	
11-22 MHL2-20D	20	60	40	98	138	1175
11-22 MHL2-20D1		80	158	238	1645	
11-22 MHL2-20D2		100	178	278	1840	
11-22 MHL2-25D	25	60	50	116	166	1850
11-22 MHL2-25D1		100	198	298	2720	
11-22 MHL2-25D2		120	216	336	2935	
11-22 MHL2-32D	32	30	70	150	220	3070
11-22 MHL2-32D1		20	120	198	318	3985
11-22 MHL2-32D2		160	242	402	4820	
11-22 MHL2-40D	40	30	100	188	288	5620
11-22 MHL2-40D1		20	160	246	406	7180
11-22 MHL2-40D2		200	286	486	8255	



Note) The width at closing/opening represent the valve when the exterior of the workpiece is being held.

Specifications

Bore size (mm)	10	16	20	25	32	40
Fluid	Air					
Action	Double acting					
Operating pressure (MPa)	0.15 to 0.6		0.1 to 0.6			
Ambient and fluid temperature	-10 to 60°C					
Repeatability	±0.1					
Lubrication	Not required					
Effective gripping force (N) at 0.5 MPa <small>(Note)</small>	14	45	74	131	228	396
Grease	11-: Fluorine grease 22-: Lithium soap based grease					
Cleanliness class (ISO class)	11-/22-: Class 4					

(Note) Gripping point = Bore size 10, 16, 20, 25: 40 mm, Bore size 32, 40: 80 mm
 * Refer to the **WEB catalog** for details of gripping force at each gripping point.

Suction Flow Rate of Vacuum Suction Type (Reference values)

Size	Suction flow rate L/min (ANR)
10/16/20/25/32/40	One side 10

Auto Switch Specifications (Refer to the **WEB catalog** for further information on auto switches.)

Type	Auto switch model	Load voltage	Load current range	Indicator light	Applicable load
Solid state	2-wire D-M9B(V)	24 VDC (10 to 28 VDC)	5 to 40 mA	Yes	24 VDC relay, PLC
auto switch	3-wire D-M9N(V)	28 VDC or less	40 mA or less	Yes	24 VDC relay, PLC

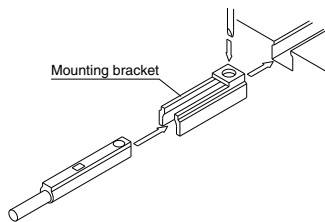
* When ordering the air gripper with the D-M9□ type auto switch, the auto switch mounting bracket is supplied with the product.
 * When ordering the D-M9□ type auto switch separately, the auto switch mounting bracket (BMG2-012) is required.

PLC: Programmable Logic Controller

Refer to page 946 for the applicable auto switch list.

Auto Switch Mounting

- To set the auto switch, insert the auto switch mounting bracket into the installation groove of the cylinder as shown below and set it roughly.
- Insert the auto switch into the auto switch mounting bracket installation groove.
- After confirming the detecting position, tighten the set screws (M2.5) attached to the auto switch and set it.
- Be sure to change the detecting position in the state of step 2.



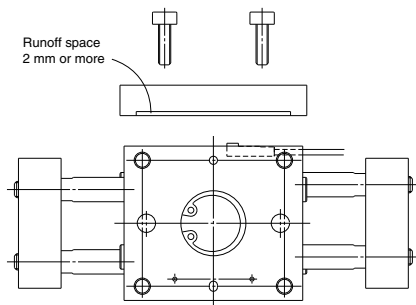
(Note) Use a watchmaker's screwdriver with a grip diameter of 5 to 6 mm to tighten the set screws (M2.5).
 The tightening torque should be 0.05 to 0.1 N·m.
 As a rule, it should be turned about 90° beyond the point at which tightening can be felt.

Auto Switch Mounting Bracket Part No.

Auto switch part no.	Auto switch mounting bracket part no.
D-M9□(V)	BMG2-012
D-M9□W(V)	
D-M9□A(V)	

Auto Switch Mounting Brackets: Precautions

When auto switch is set on the mounting side as shown below, allow at least 2 mm runoff space on mounting plate since the auto switch is protruded from the gripper edge.



Directional Control Valves

Air Cylinders

Rotary Actuators

Air Grippers

Air Preparation Equipment

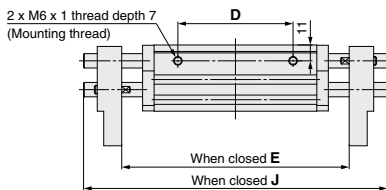
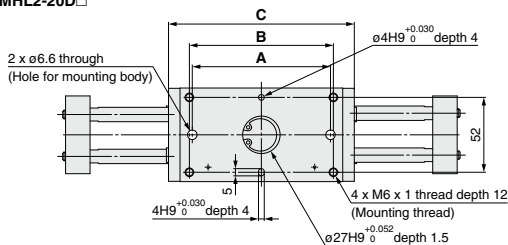
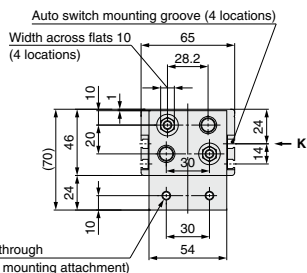
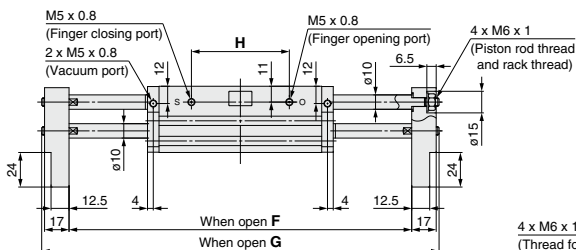
Modular F. R.

Pressure Control Equipment

Fittings & Tubing

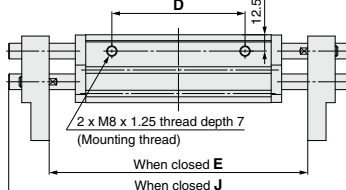
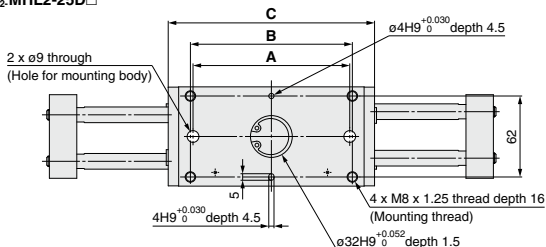
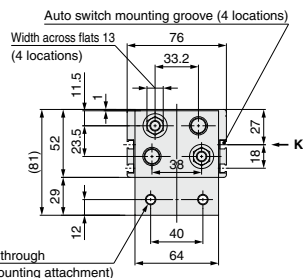
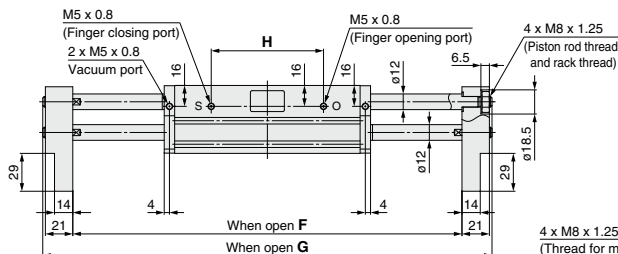
Flow Control Equipment

Pressure Switches/ Pressure Sensors

Dimensions
11-22-MHL2-20D

K cross view (Closed)


	A	B	C	D	E	F	G	H	J
11-22-MHL2-20D	54	58	87	38	98	138	176	32	136
11-22-MHL2-20D1	96	100	129	80	158	238	276	68	211
11-22-MHL2-20D2	116	120	149	100	178	278	316	88	251

(mm)

11-22-MHL2-25D

K cross view (Closed)


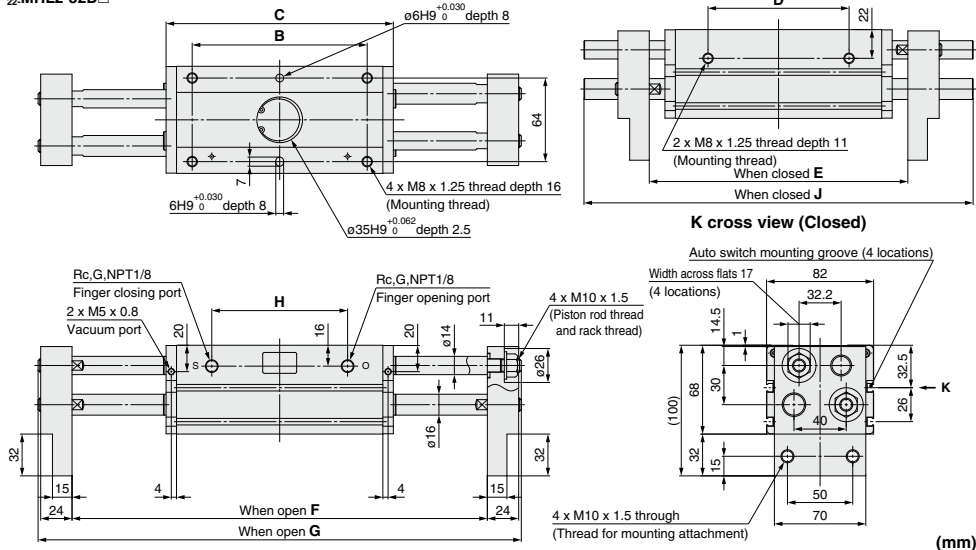
	A	B	C	D	E	F	G	H	J
11-22-MHL2-25D	66	70	104	48	116	166	212	38	162
11-22-MHL2-25D1	120	124	158	102	198	298	344	86	260
11-22-MHL2-25D2	138	142	176	120	216	336	382	104	298

(mm)

 Directional Control Valves
 Air Cylinders
 Rotary Actuators
 Air Grippers
 Air Preparation Equipment
 Modular F. R.
 Pressure Control Equipment
 Fittings & Tubing
 Flow Control Equipment
 Pressure Switches/ Pressure Sensors

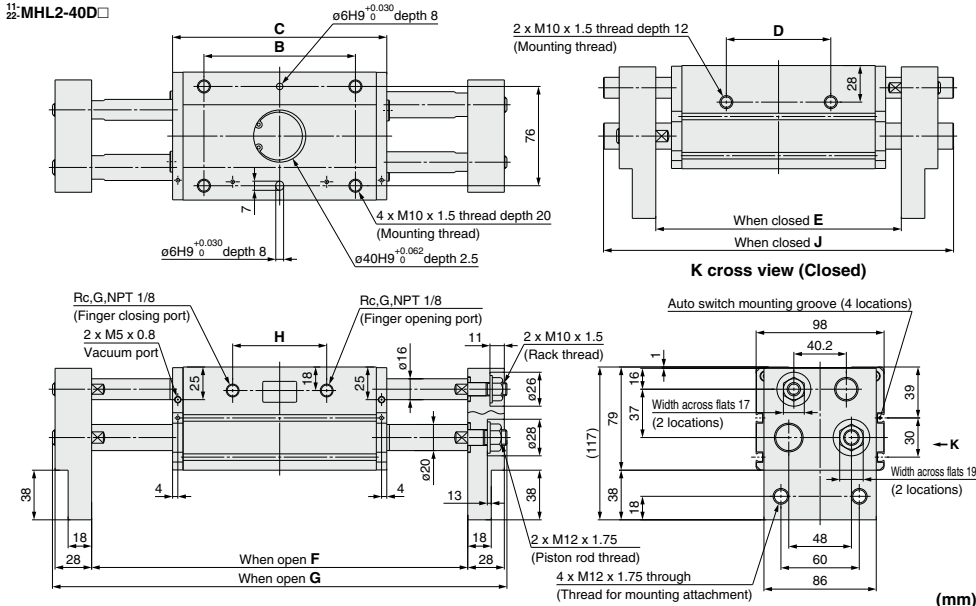
Dimensions

11/22:MHL2-32D □



	B	C	D	E	F	G	H	J
11/22:MHL2-32D	86	126	60	150	220	272	56	202
11/22:MHL2-32D1	134	174	108	198	318	370	104	298
11/22:MHL2-32D2	178	218	152	242	402	454	148	382

11/22:MHL2-40D □



	B	C	D	E	F	G	H	J
11/22:MHL2-40D	116	164	80	188	288	348	72	268
11/22:MHL2-40D1	174	222	138	246	406	466	130	386
11/22:MHL2-40D2	214	262	178	286	486	546	170	466